



# LOAD PERFORMANCE CURVE

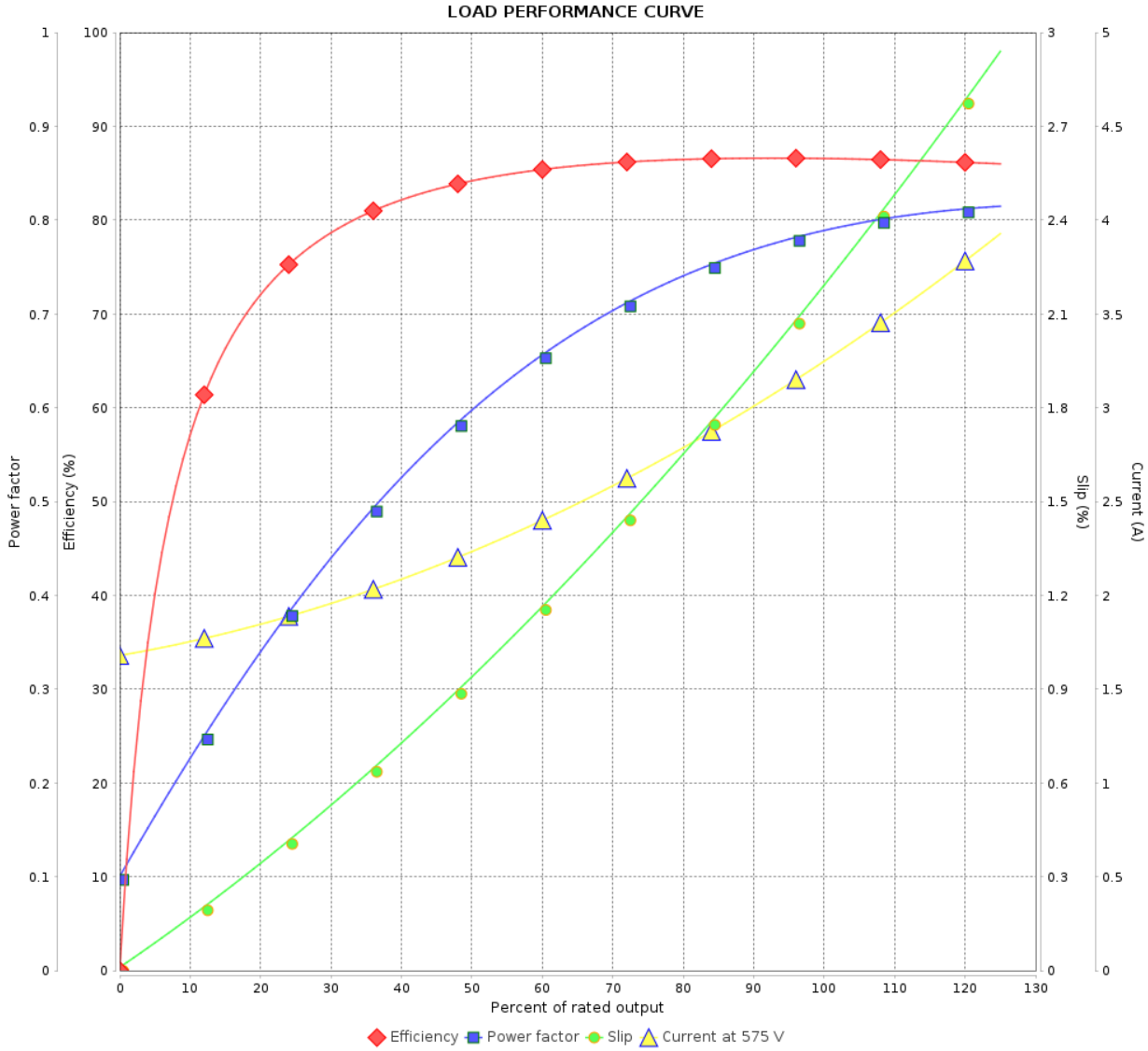
Three Phase Induction Motor - Squirrel Cage



Customer : \_\_\_\_\_

Product line : General High Efficiency Three-Phase

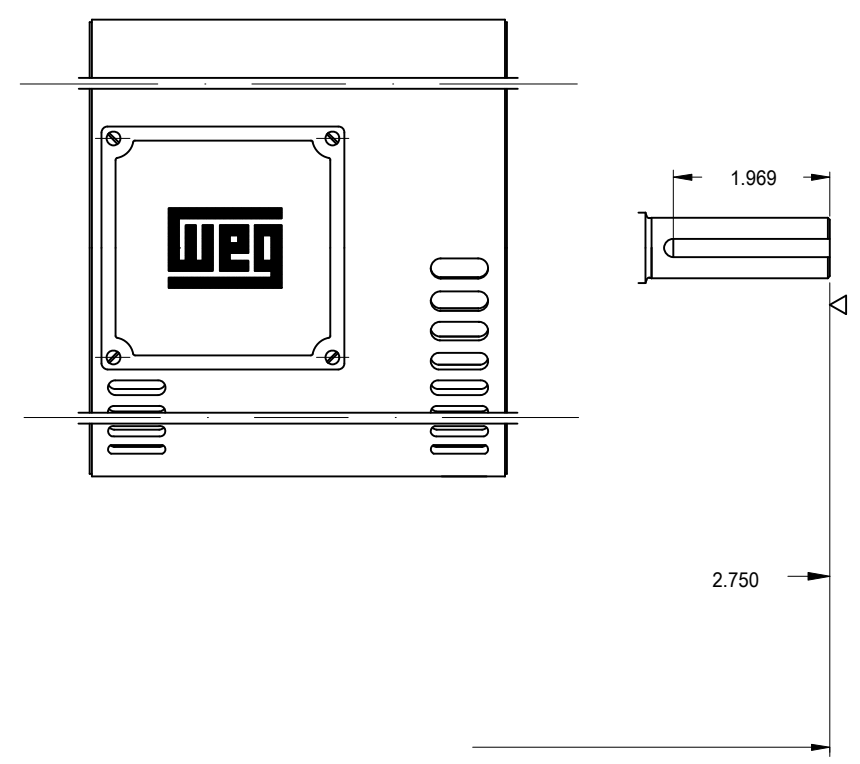
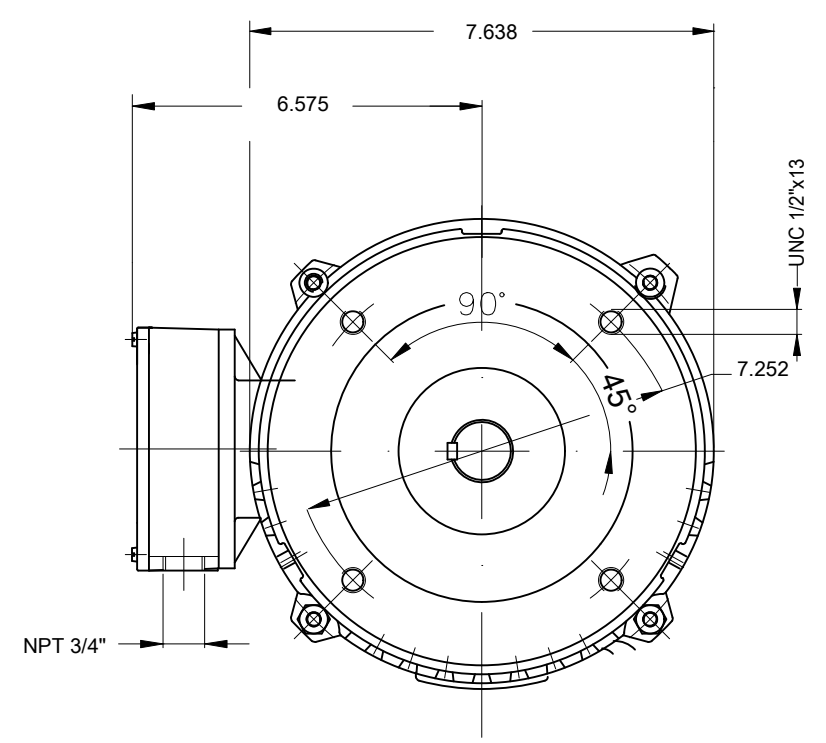
Product code : 11995122



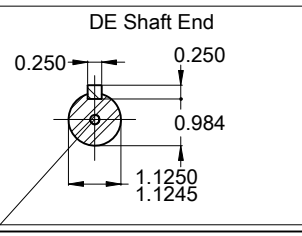
Rev.	Changes Summary	Performed	Checked	Date
Performed by		Page 2 / 2		Revision
Checked by				
Date				

1 2 3 4 5 6

A  
B  
C  
D  
E



- Packing - crate
- Plastic flat plug
- With drip cover
- Color RAL 5009
- Painting plan 207A
- Mounting V18



3 HP 04 Poles 60 Hz A

ECM		LOC	SUMMARY OF MODIFICATIONS			HYBRISUSER					00
EXECUTED	HYBRISUSER			THREE PH. MOTOR GENERAL HIGH EFF.			PREVIEW				
CHECKED				FRAME 182TC IP21 ODP			WDD	00			
RELEASED											
REL. DATE		WMO		Jaragua do Sul			Product Engineering	SHEET	1 / 1		