

DATA SHEET



Three Phase Induction Motor - Squirrel Cage

Customer :						
Product line		: W22 Brake Motor NEMA Premium Efficiency Three-Phase		Product code :		13878036
Frame	:	213/5TC		Locked rotor time	:	36s (cold) 20s (hot)
Output	:	7.5 HP (5.5 kW)		Temperature rise	:	80 K
Frequency	:	60 Hz		Duty cycle	:	Cont.(S1)
Rated voltage	:	575 V		Ambient temperature	:	-20°C to +40°C
Poles	:	4		Altitude	:	1000 m.a.s.l.
Rated current	:	7.34 A		Protection degree	:	IP55
	:	7.1x(Code H)		Cooling method	:	IC411 - TEFC
Rated speed	:	1765 rpm		Mounting	:	F-1
Rated torque	:	3.08 kgfm		Rotation ¹	:	Both (CW and CCW)
Insulation class	:	F		Noise level ²	:	58.0 dB(A)
Service factor	:	1.25		Starting method	:	Direct On Line
Moment of inertia (J)	:	0.0566 kgm ²		Approx. weight ³	:	87.6 kg
Design	:	B				
Output	50%	75%	100%	Foundation loads		
Efficiency (%)	89.5	91.0	91.7	Max. traction : 116 kgf		
Power Factor	0.66	0.76	0.82	Max. compression : 203 kgf		
Losses at normative operating points (speed;torque), in percentage of rated output power						
P1 (0,9;1,0)	P2 (0,5;1,0)	P3 (0,25;1,0)	P4 (0,9;0,5)	P5 (0,5;0,5)	P6 (0,5;0,25)	P7 (0,25;0,25)
10.2	9.0	8.4	4.8	3.6	2.4	1.7
			<u>Drive end</u>	<u>Non drive end</u>		
Bearing type	:	6308 ZZ		6207 ZZ		
Sealing	:	V'Ring		Lip Seal		
Lubrication interval	:	-		-		
Lubricant amount	:	-		-		
Lubricant type	:			00088		
Notes						
This revision replaces and cancel the previous one, which must be eliminated. (1) Looking the motor from the shaft end. (2) Measured at 1m and with tolerance of +3dB(A). (3) Approximate weight subject to changes after manufacturing process. (4) At 100% of full load.				These are average values based on tests with sinusoidal power supply, subject to the tolerances stipulated in NEMA MG-1.		
Rev.	Changes Summary			Performed	Checked	Date
Performed by						
Checked by					Page	Revision
Date	12/05/2026				1 / 3	

DATA SHEET

Three Phase Induction Motor - Squirrel Cage



Customer : _____

Brake information

Voltage: 525-575 V
Brake Torque: 8.15 kgfm

Rev.	Changes Summary	Performed	Checked	Date
Performed by				
Checked by				
Date	12/05/2026		Page 2 / 3	Revision

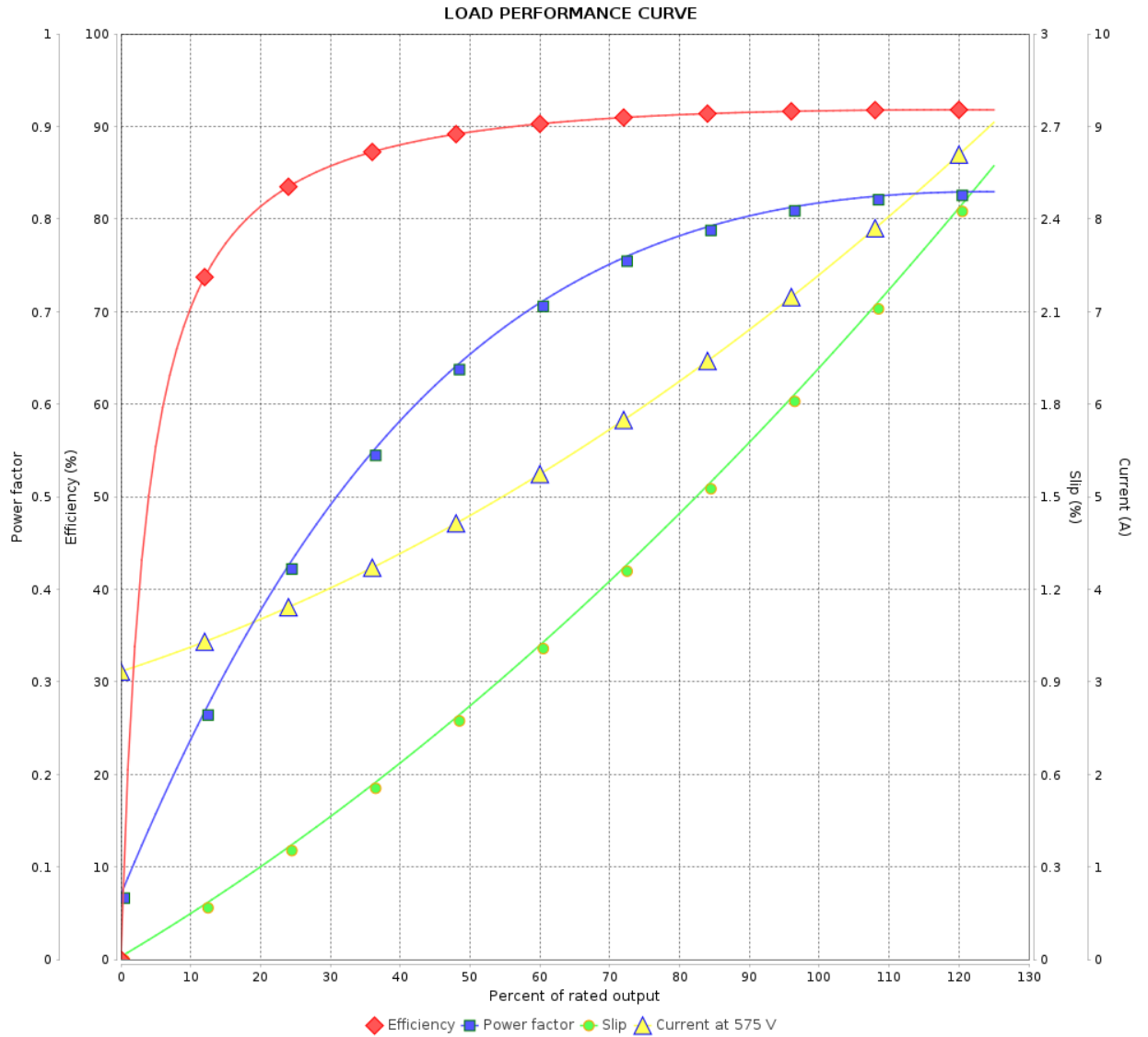
LOAD PERFORMANCE CURVE

Three Phase Induction Motor - Squirrel Cage

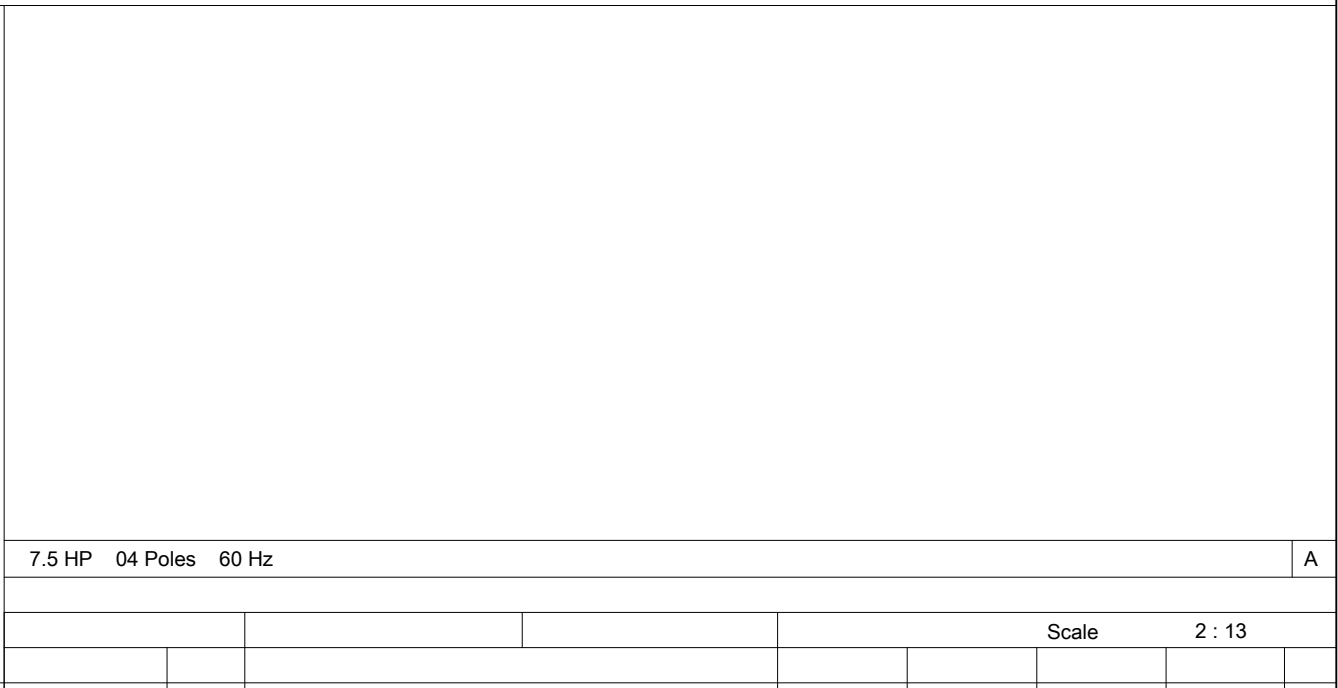
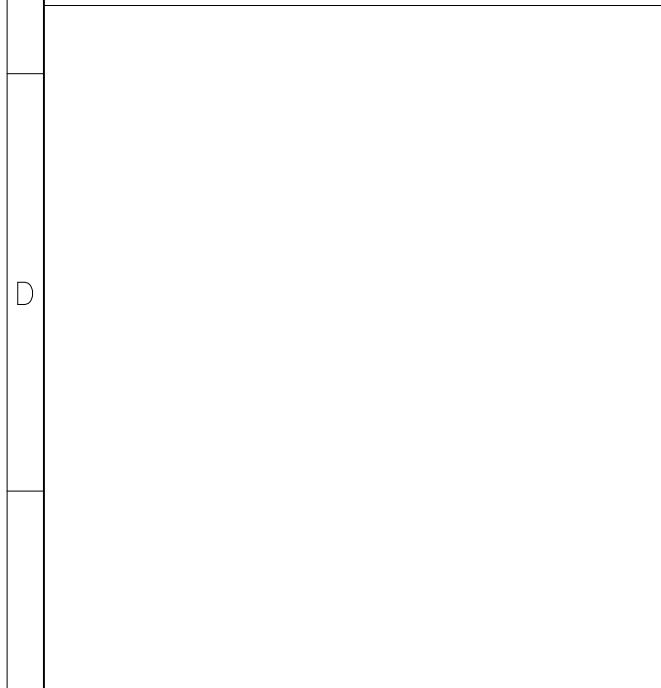
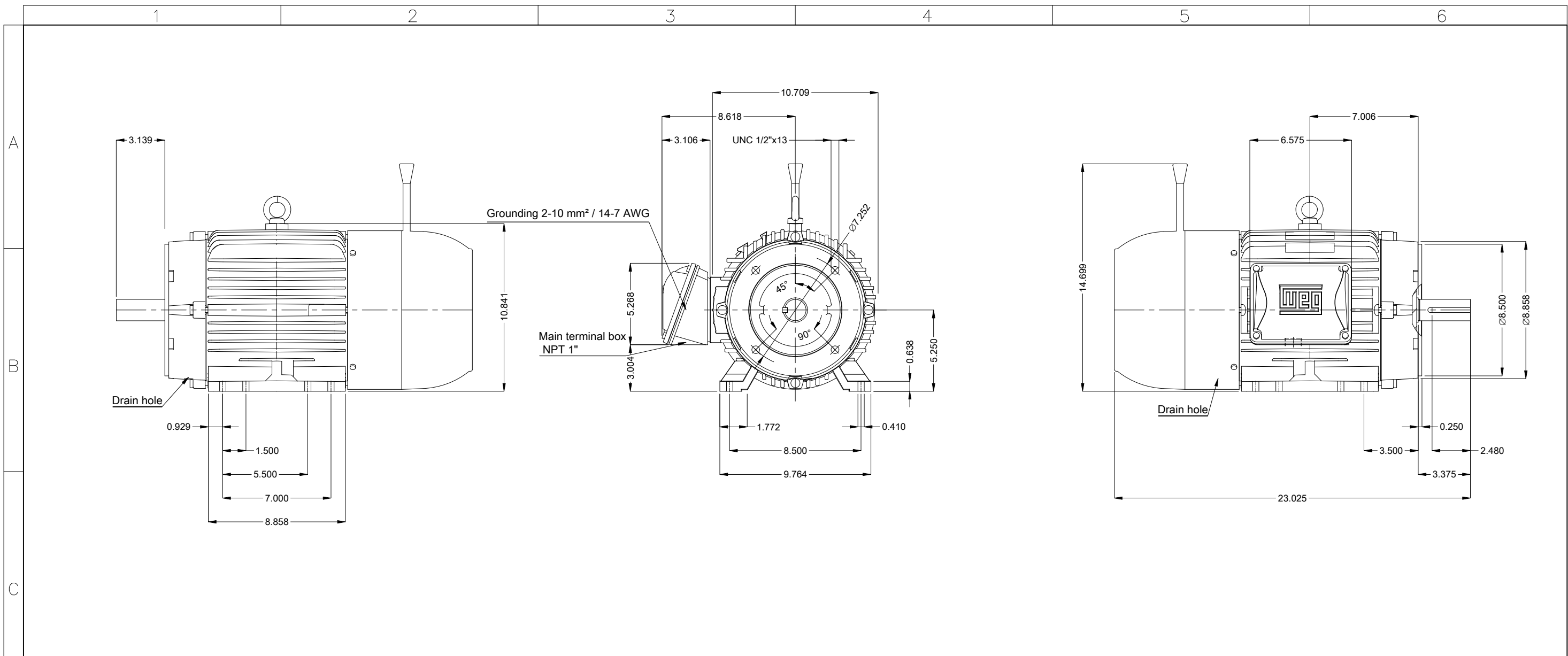


Customer :

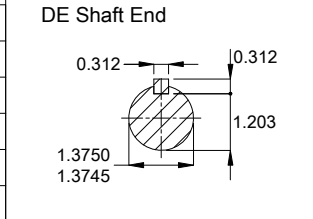
Product line : W22 Brake Motor NEMA Premium Efficiency Three-Phase Product code : 13878036



Rev.	Changes Summary	Performed	Checked	Date
Performed by		Page 3 / 3		Revision
Checked by				
Date				



Break size 16 (80 Nm)
Brake voltage 525-575 V
Color RAL 5009
Painting plan 207A
Mounting NEMA F-1
Mounting B34D



7.5 HP 04 Poles 60 Hz		A
Scale 2 : 13		
ECM	LOC	
EXECUTED	HYBRISUSER	
CHECKED		
RELEASED		
REL. DATE		

HYBRISUSER				00
EXECUTED	CHECKED	RELEASED	DATE	VER
EXECUTED	HYBRISUSER			
CHECKED				
RELEASED				
REL. DATE				
THREE PH. MOTOR W22 BRAKE MOTOR NEMA PREM. EFF. FRAME 213/5TC IP55 TEFC			<p>PREVIEW</p> <p>WDD 00</p> <p>SHEET 1 / 1</p>	

Dimensions in inches

A3