

DATA SHEET



Three Phase Induction Motor - Squirrel Cage

Customer :

Product line : ODP High Efficiency Three-Phase Product code : 11996557

Frame	: 254TC	Locked rotor time	: 30s (cold) 17s (hot)
Output	: 15 HP (11 kW)	Temperature rise	: 80 K
Frequency	: 60 Hz	Duty cycle	: Cont.(S1)
Rated voltage	: 575 V	Ambient temperature	: -20°C to +40°C
Poles	: 4	Altitude	: 1000 m.a.s.l.
Rated current	: 15.0 A	Protection degree	: IP23
	: 6.0x(Code G)	Cooling method	: IC01 - ODP
Rated speed	: 1765 rpm	Mounting	: F-1
Rated torque	: 6.17 kgfm	Rotation ¹	: Both (CW and CCW)
Insulation class	: F	Noise level ²	: 59.0 dB(A)
Service factor	: 1.15	Starting method	: Direct On Line
Moment of inertia (J)	: 0.0652 kgm ²	Approx. weight ³	: 95.8 kg
Design	: B		

Output	50%	75%	100%	Foundation loads	
Efficiency (%)	89.5	91.0	91.0	Max. traction	: 194 kgf
Power Factor	0.63	0.75	0.81	Max. compression	: 290 kgf

		<u>Drive end</u>	<u>Non drive end</u>
Bearing type	:	6309 Z C3	6209 Z C3
Sealing	:	Without Bearing Seal	Without Bearing Seal
Lubrication interval	:	20000 h	20000 h
Lubricant amount	:	13 g	9 g
Lubricant type	:	Mobil Polyrex EM	

Notes

This revision replaces and cancel the previous one, which must be eliminated.

- (1) Looking the motor from the shaft end.
- (2) Measured at 1m and with tolerance of +3dB(A).
- (3) Approximate weight subject to changes after manufacturing process.
- (4) At 100% of full load.

These are average values based on tests with sinusoidal power supply, subject to the tolerances stipulated in NEMA MG-1.

Rev.	Changes Summary	Performed	Checked	Date
Performed by				
Checked by			Page	Revision
Date	11/05/2026		1 / 2	

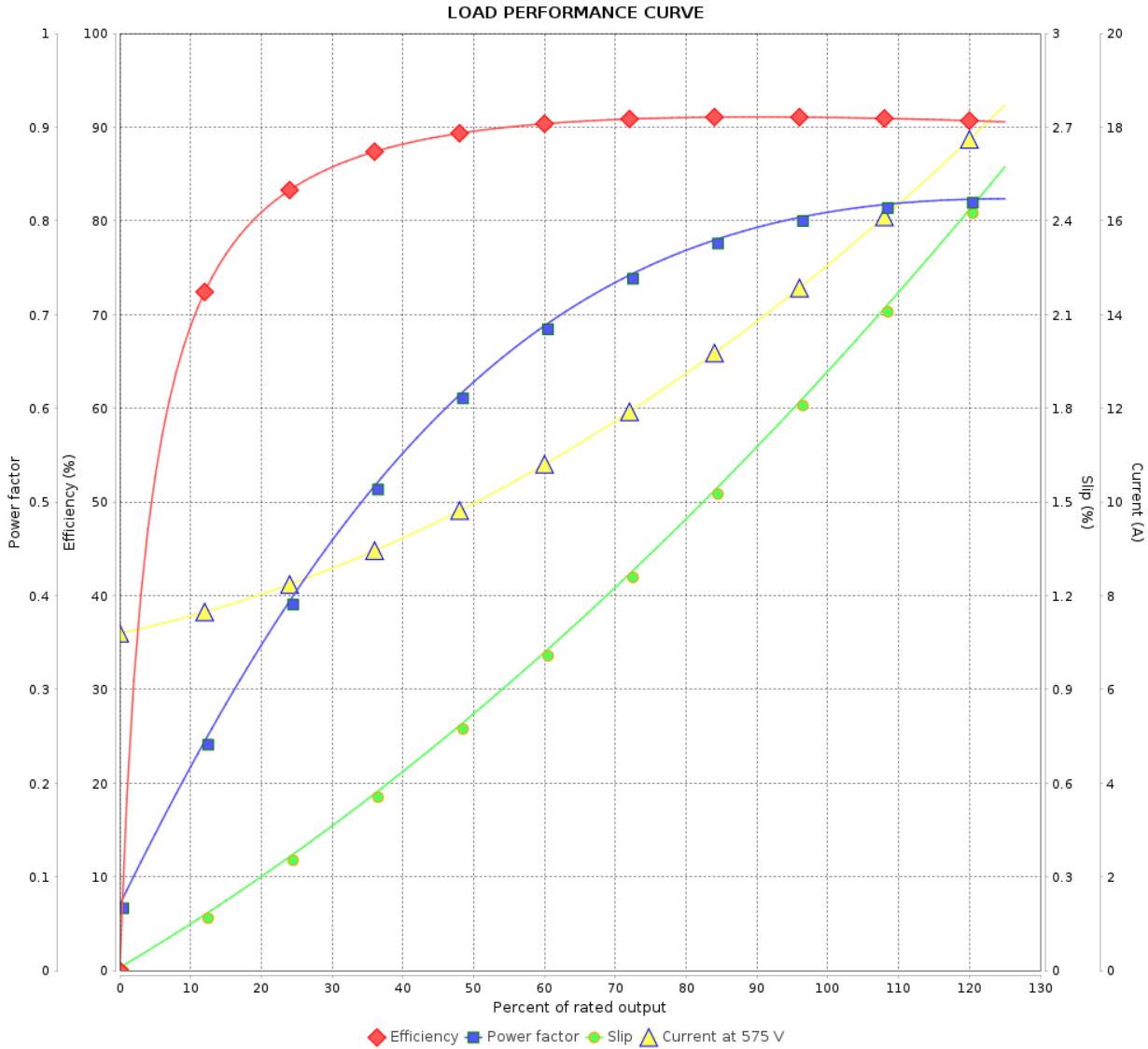
LOAD PERFORMANCE CURVE

Three Phase Induction Motor - Squirrel Cage

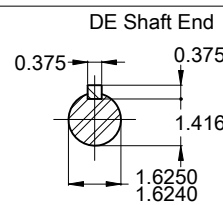
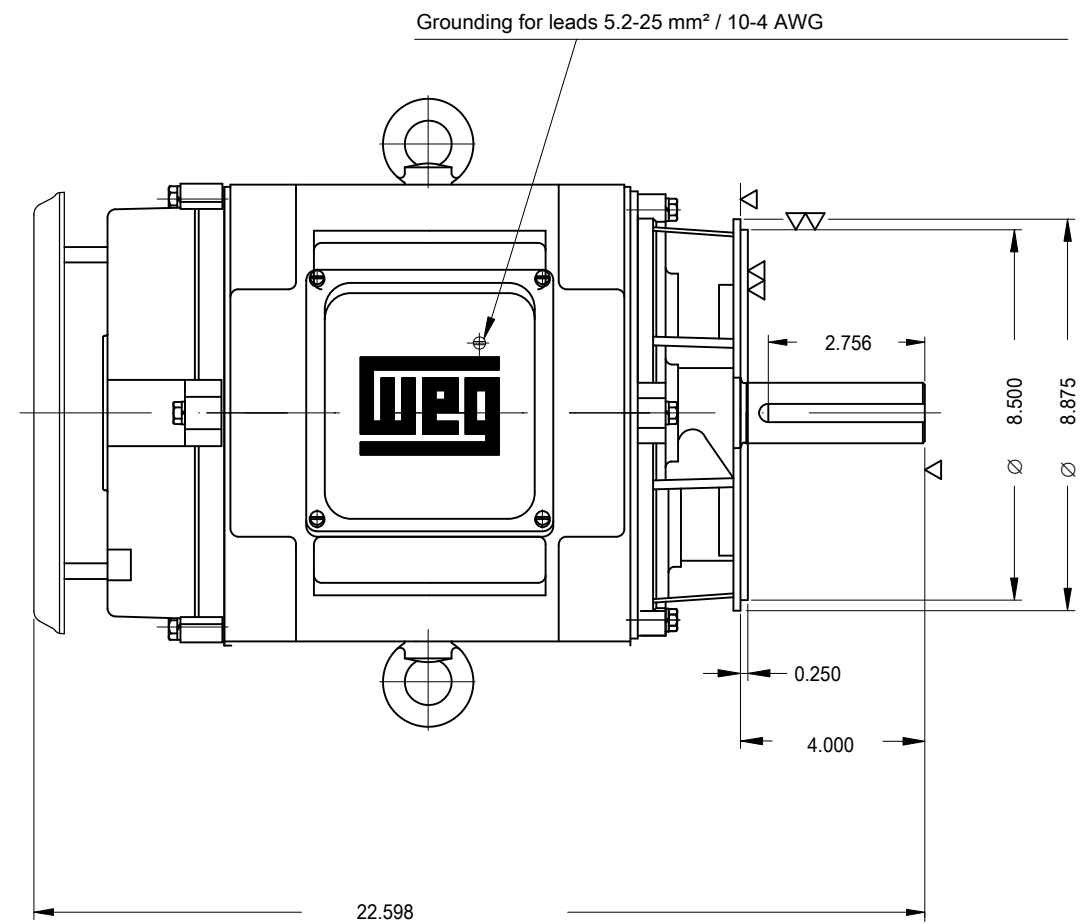
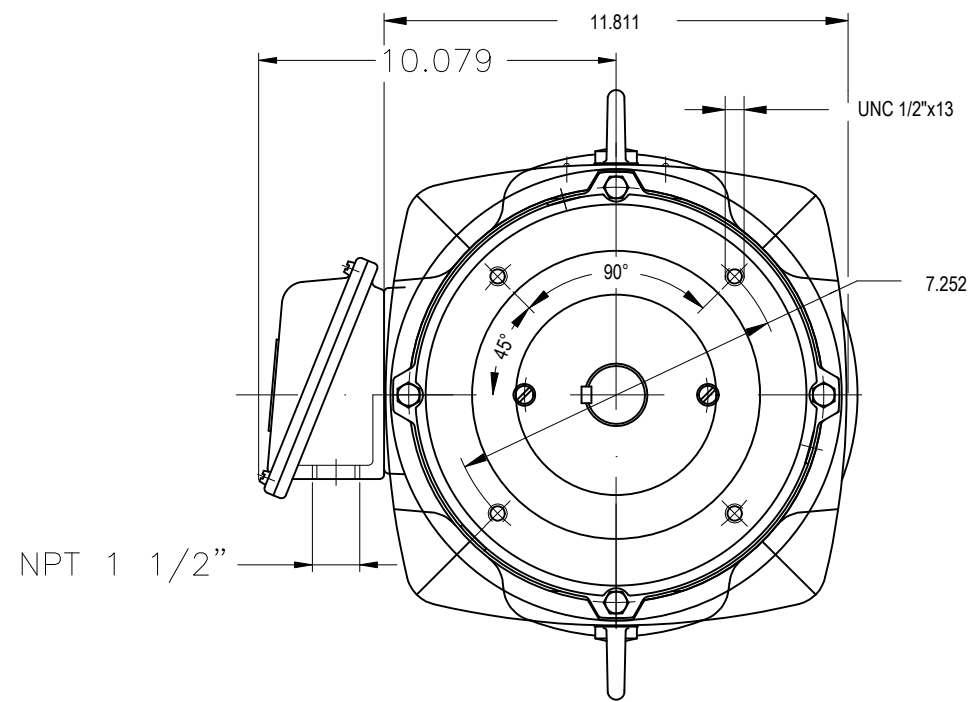


Customer :

Product line : ODP High Efficiency Three-Phase Product code : 11996557



Rev.	Changes Summary	Performed	Checked	Date
Performed by			Page 2 / 2	Revision
Checked by				
Date				



With drip cover
 Color RAL 5009
 Painting plan 203A
 Mounting B14R(D)

15 HP 04 Poles 60 Hz

ECM		LOC	SUMMARY OF MODIFICATIONS		HYBRISUSER					00
EXECUTED	HYBRISUSER		THREE PH. MOTOR GENERAL HIGH EFF.		EXECUTED	CHECKED	RELEASED	DATE	VER	
CHECKED			FRAME 254TC IP23 ODP							
RELEASED										
REL. DATE		WMO	Jaragua do Sul	Product Engineering						

PREVIEW

WDD 00



SHEET 1 / 1

Dimensions in inches

XME A3