

DATA SHEET



Three Phase Induction Motor - Squirrel Cage

Customer :					
Product line		: ODP NEMA Premium Efficiency Three-Phase		Product code : 11914799	
Frame	:	256TC	Locked rotor time	: 16s (cold) 9s (hot)	
Output	:	25 HP (18.5 kW)	Temperature rise	: 80 K	
Frequency	:	60 Hz	Duty cycle	: Cont.(S1)	
Rated voltage	:	575 V	Ambient temperature	: -20°C to +40°C	
Poles	:	2	Altitude	: 1000 m.a.s.l.	
Rated current	:	23.8 A	Protection degree	: IP23	
	:	6.5x(Code G)	Cooling method	: IC01 - ODP	
Rated speed	:	3530 rpm	Mounting	: F-1	
Rated torque	:	5.14 kgfm	Rotation ¹	: Both (CW and CCW)	
Insulation class	:	F	Noise level ²	: 67.0 dB(A)	
Service factor	:	1.15	Starting method	: Direct On Line	
Moment of inertia (J)	:	0.0456 kgm ²	Approx. weight ³	: 110 kg	
Design	:	B			
Output	50%	75%	100%	Foundation loads	
Efficiency (%)	91.0	91.7	91.7	Max. traction : 155 kgf	
Power Factor	0.73	0.82	0.85	Max. compression : 265 kgf	
Bearing type	:	<u>Drive end</u> 6309 Z C3	<u>Non drive end</u> 6209 Z C3		
Sealing	:	Without Bearing Seal	Without Bearing Seal		
Lubrication interval	:	20000 h	20000 h		
Lubricant amount	:	13 g	9 g		
Lubricant type	:	Mobil Polyrex EM			
Notes					
This revision replaces and cancel the previous one, which must be eliminated. (1) Looking the motor from the shaft end. (2) Measured at 1m and with tolerance of +3dB(A). (3) Approximate weight subject to changes after manufacturing process. (4) At 100% of full load.			These are average values based on tests with sinusoidal power supply, subject to the tolerances stipulated in NEMA MG-1.		
Rev.	Changes Summary		Performed	Checked	Date
Performed by					
Checked by				Page	Revision
Date	11/05/2026			1 / 2	

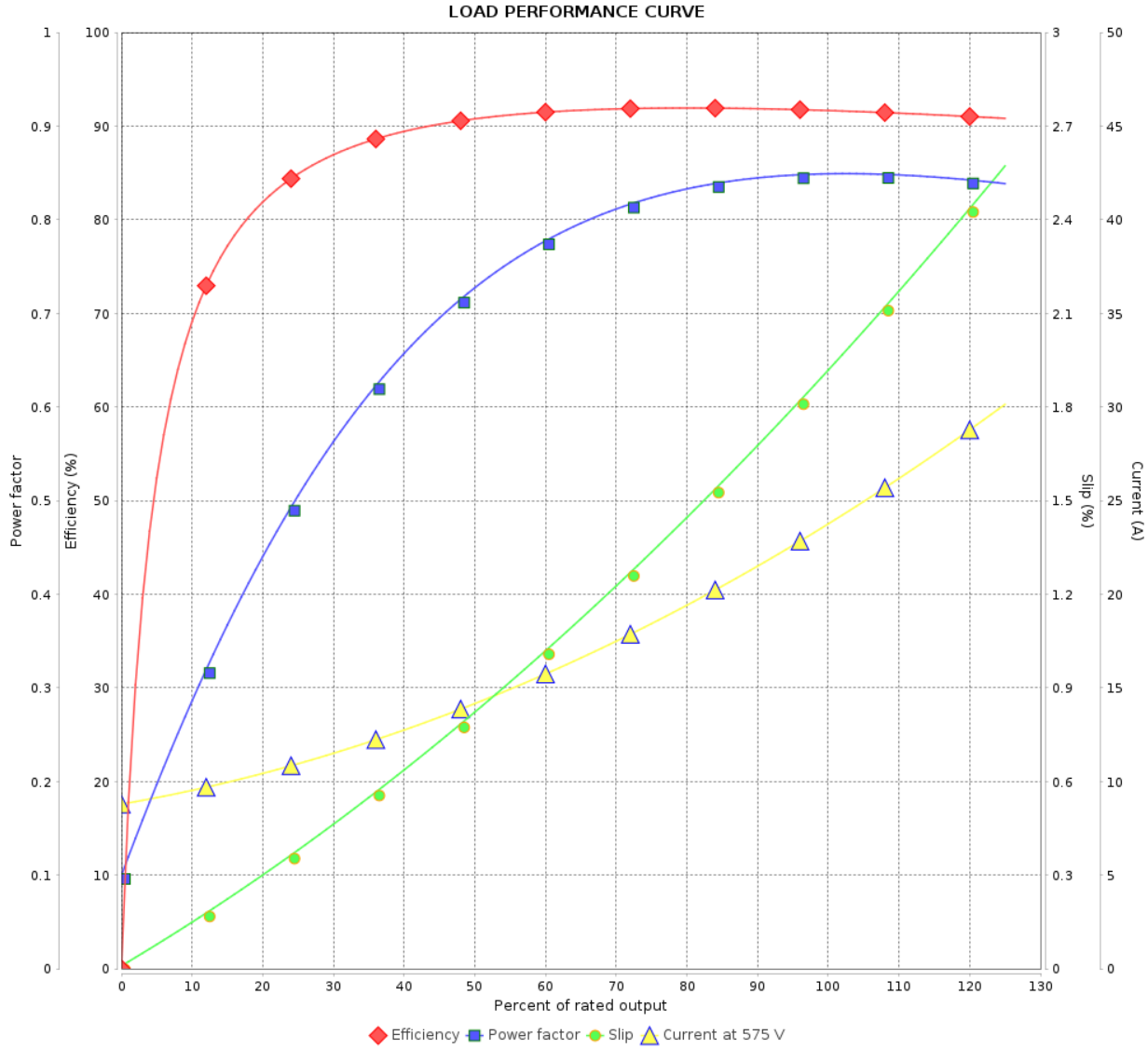
LOAD PERFORMANCE CURVE

Three Phase Induction Motor - Squirrel Cage

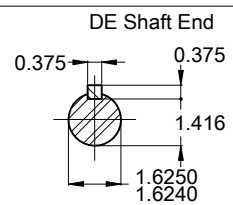
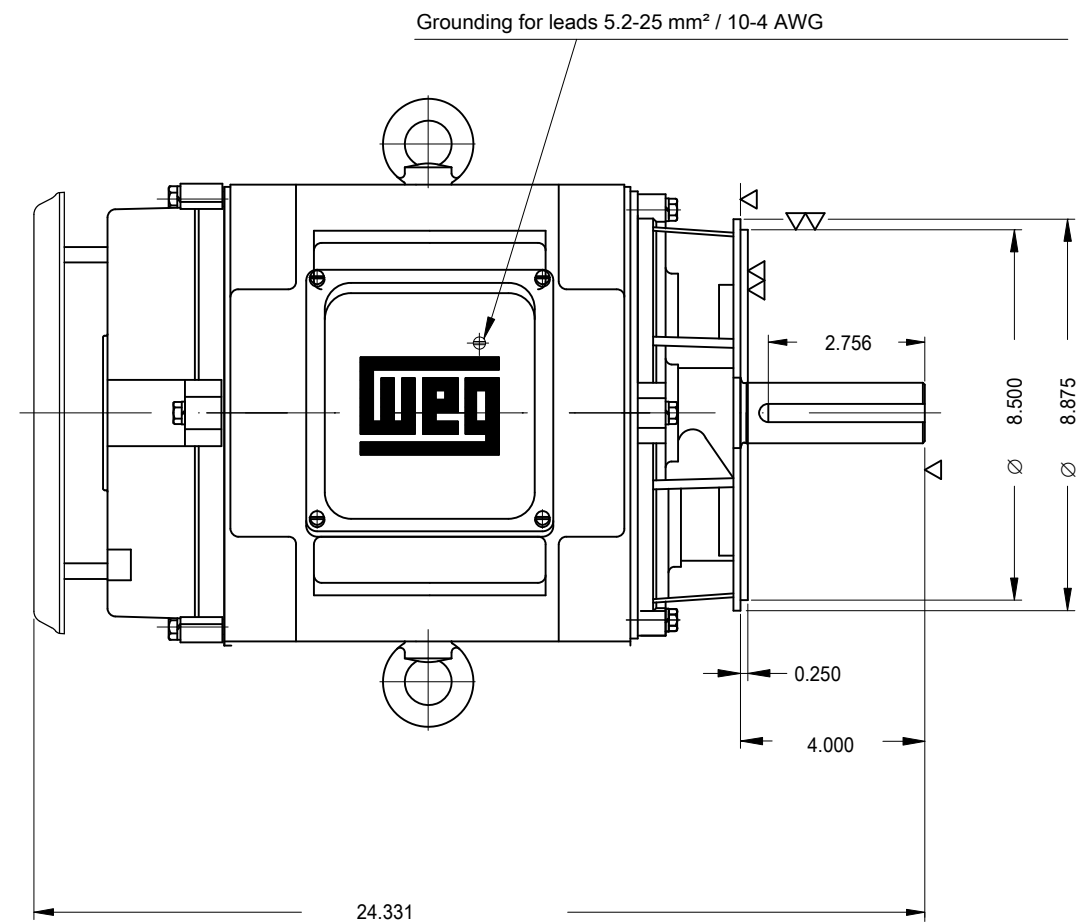
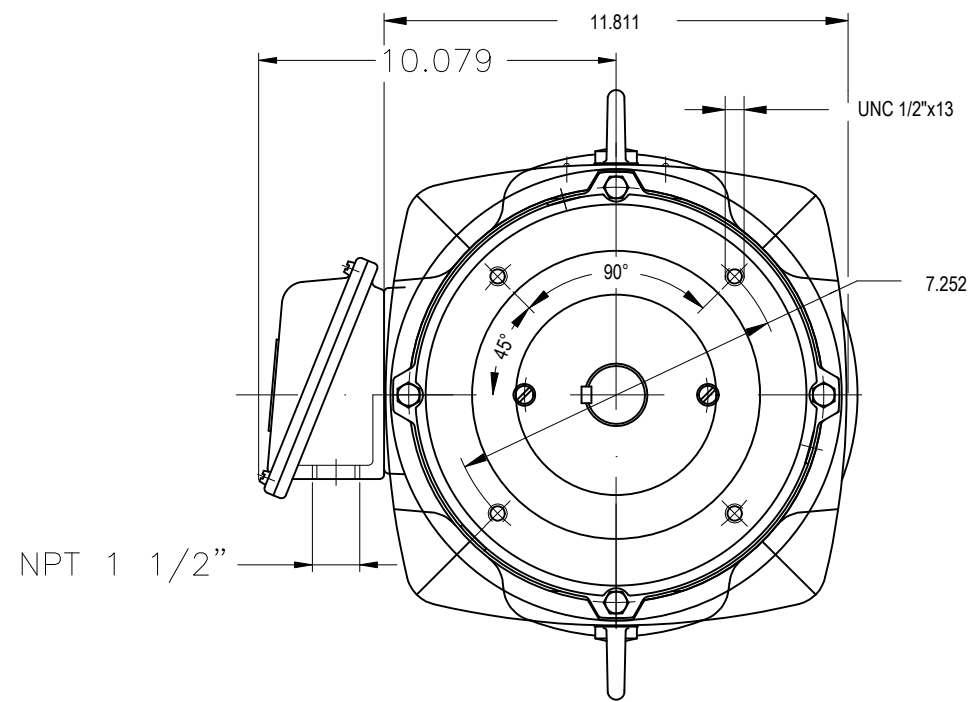


Customer :

Product line : ODP NEMA Premium Efficiency Three-Phase Product code : 11914799



Rev.	Changes Summary	Performed	Checked	Date
Performed by		Page 2 / 2		Revision
Checked by				
Date				



With drip cover
 Color RAL 5009
 Painting plan 203A
 Mounting B14R(D)

25 HP 02 Poles 60 Hz

A

ECM	LOC	SUMMARY OF MODIFICATIONS	EXECUTED	CHECKED	RELEASED	DATE	VER
EXECUTED	HYBRISUSER	THREE PH. MOTOR GENERAL NEMA PREM. EFF.					00
CHECKED		FRAME 256TC IP23 ODP					
RELEASED							
REL. DATE	WMO	Jaragua do Sul	Product Engineering				

PREVIEW

WDD 00

SHEET 1 / 1

