

# DATA SHEET



## Three Phase Induction Motor - Squirrel Cage

Customer :						
Product line		: ODP High Efficiency Three-Phase		Product code : 11997249		
Frame	: 256TC	Locked rotor time	: 18s (cold) 10s (hot)			
Output	: 25 HP (18.5 kW)	Temperature rise	: 105 K			
Frequency	: 60 Hz	Duty cycle	: Cont.(S1)			
Rated voltage	: 575 V	Ambient temperature	: -20°C to +40°C			
Poles	: 2	Altitude	: 1000 m.a.s.l.			
Rated current	: 23.4 A	Protection degree	: IP23			
	: 6.0x(Code G)	Cooling method	: IC01 - ODP			
Rated speed	: 3530 rpm	Mounting	: F-1			
Rated torque	: 5.14 kgfm	Rotation <sup>1</sup>	: Both (CW and CCW)			
Insulation class	: F	Noise level <sup>2</sup>	: 67.0 dB(A)			
Service factor	: 1.15	Starting method	: Direct On Line			
Moment of inertia (J)	: 0.0412 kgm <sup>2</sup>	Approx. weight <sup>3</sup>	: 103 kg			
Design	: B					
Output	50%	75%	100%	Foundation loads		
Efficiency (%)	90.2	91.0	91.0	Max. traction : 150 kgf		
Power Factor	0.76	0.84	0.87	Max. compression : 254 kgf		
Bearing type	:	<u>Drive end</u> 6309 Z C3	<u>Non drive end</u> 6209 Z C3			
Sealing	:	Without Bearing Seal	Without Bearing Seal			
Lubrication interval	:	20000 h	20000 h			
Lubricant amount	:	13 g	9 g			
Lubricant type	:	Mobil Polyrex EM				
Notes						
<p>This revision replaces and cancel the previous one, which must be eliminated.</p> <p>(1) Looking the motor from the shaft end.</p> <p>(2) Measured at 1m and with tolerance of +3dB(A).</p> <p>(3) Approximate weight subject to changes after manufacturing process.</p> <p>(4) At 100% of full load.</p>			<p>These are average values based on tests with sinusoidal power supply, subject to the tolerances stipulated in NEMA MG-1.</p>			
Rev.	Changes Summary			Performed	Checked	Date
Performed by						
Checked by					Page	Revision
Date	11/05/2026				1 / 2	

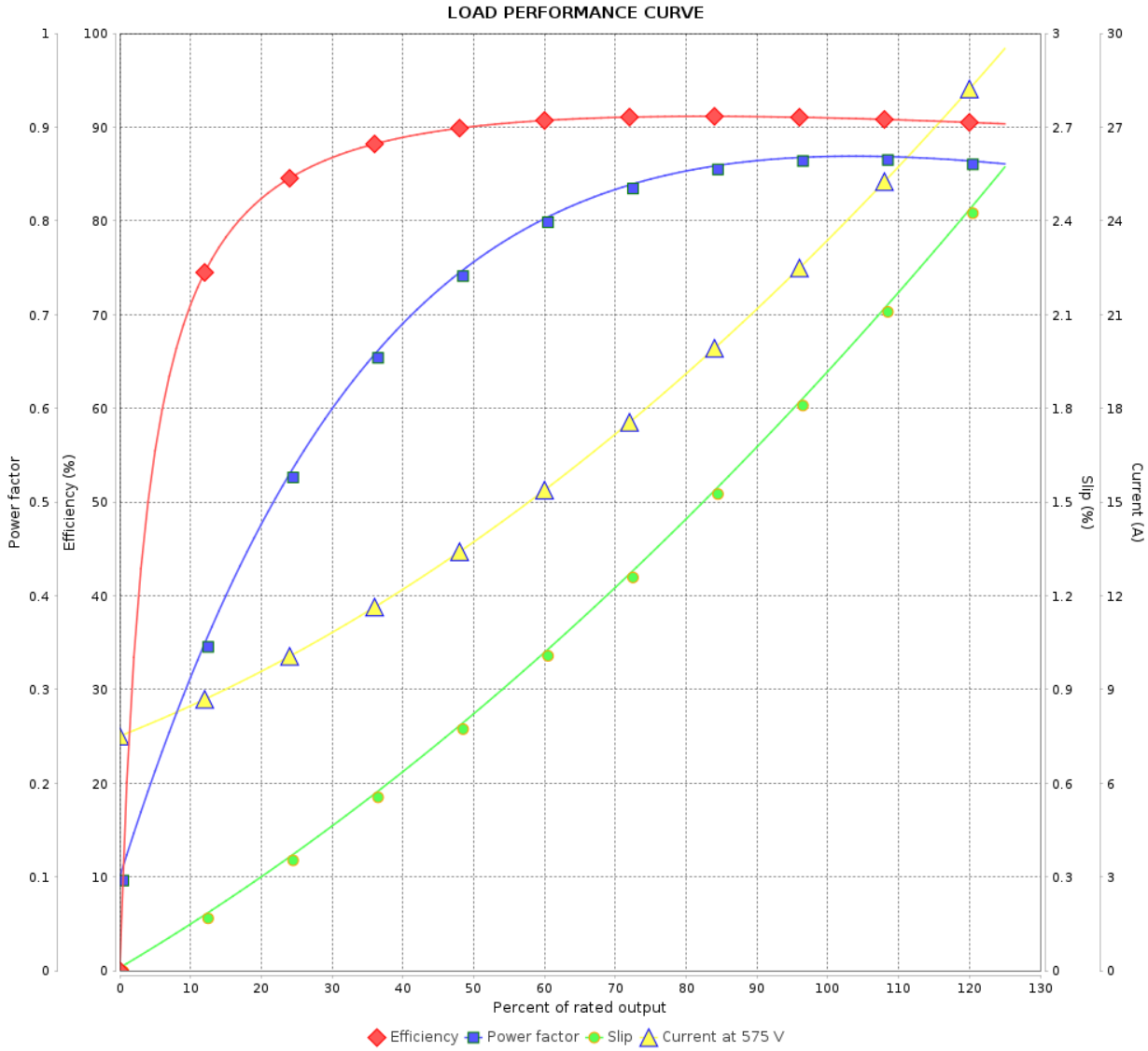
# LOAD PERFORMANCE CURVE

Three Phase Induction Motor - Squirrel Cage

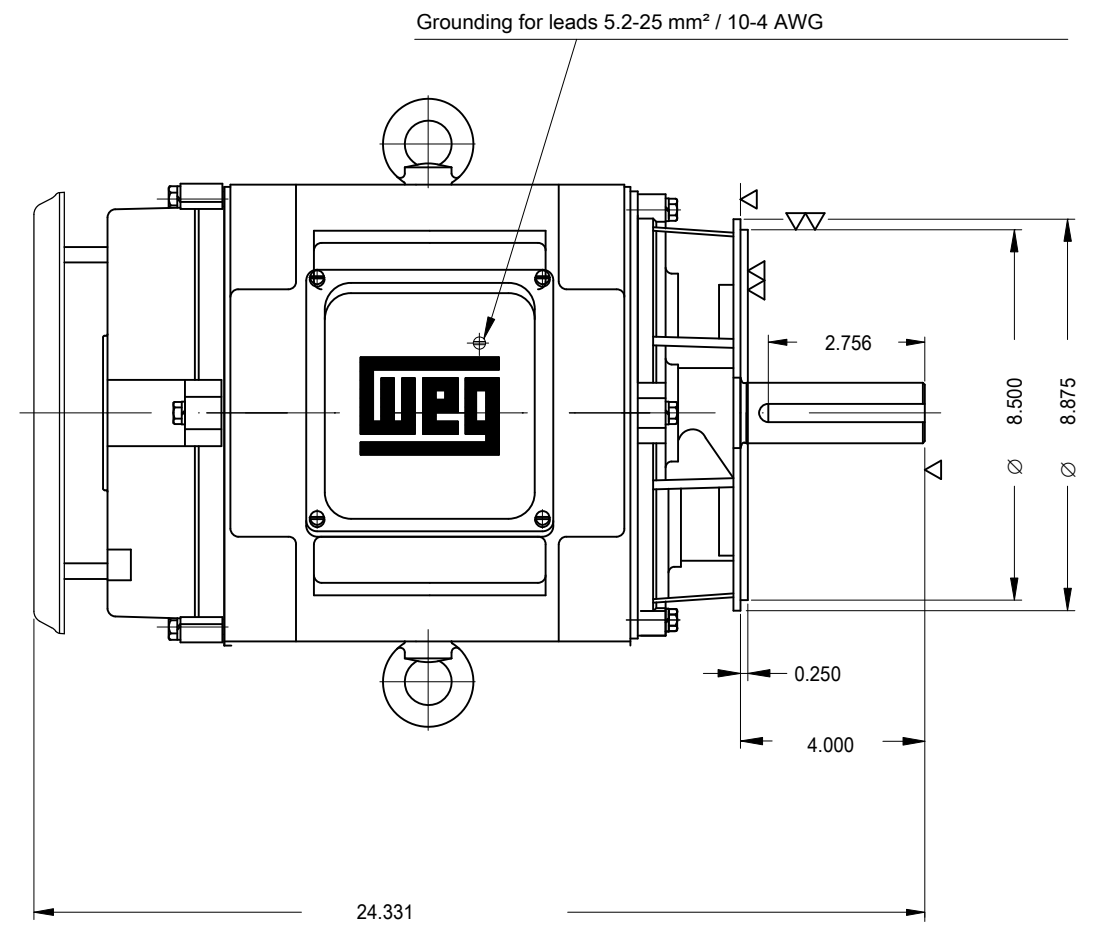
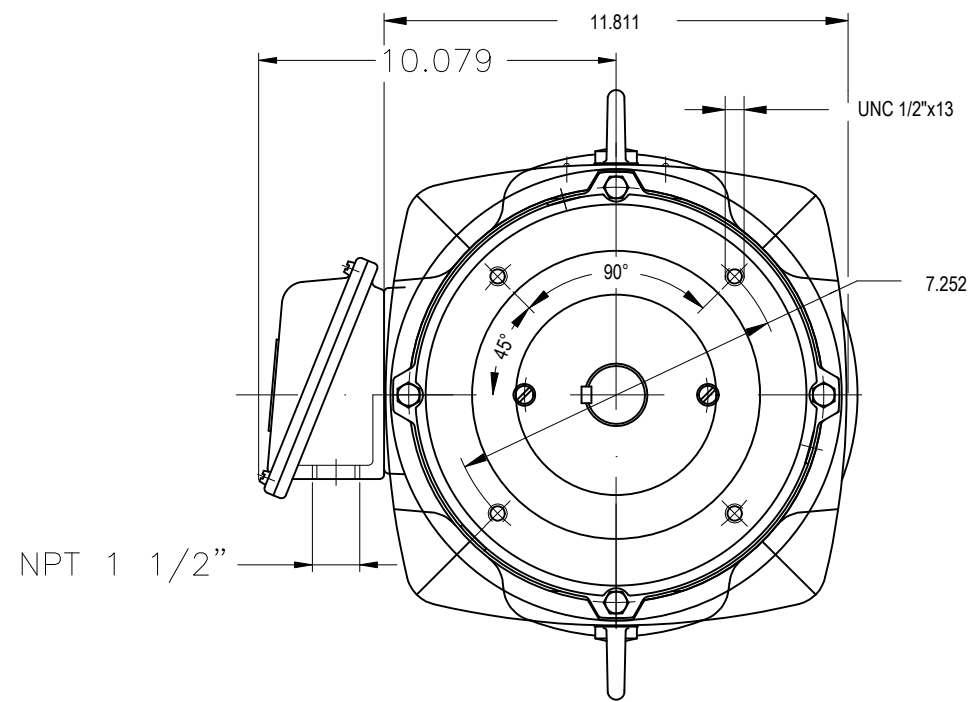


Customer : \_\_\_\_\_

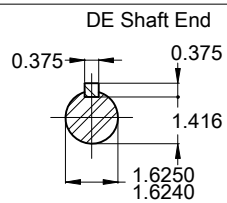
Product line : ODP High Efficiency Three-Phase      Product code : 11997249



Rev.	Changes Summary	Performed	Checked	Date
Performed by		Page 2 / 2		Revision
Checked by				
Date				



With drip cover  
 Color RAL 5009  
 Painting plan 203A  
 Mounting B14R(D)



25 HP 02 Poles 60 Hz

Dimensions in inches

ECM		LOC	SUMMARY OF MODIFICATIONS		HYBRISUSER					00
EXECUTED	HYBRISUSER		THREE PH. MOTOR GENERAL HIGH EFF.		EXECUTED	CHECKED	RELEASED	DATE	VER	
CHECKED			FRAME 256TC IP23 ODP							
RELEASED										
REL. DATE		WMO	Jaragua do Sul	Product Engineering	SHEET		1 / 1		PREVIEW WDD 00 