

DATA SHEET



Three Phase Induction Motor - Squirrel Cage

Customer :						
Product line		: ODP NEMA Premium Efficiency Three-Phase		Product code : 11003745		
Frame	:	284TC		Locked rotor time	: 27s (cold) 15s (hot)	
Output	:	25 HP (18.5 kW)		Temperature rise	: 80 K	
Frequency	:	60 Hz		Duty cycle	: Cont.(S1)	
Rated voltage	:	575 V		Ambient temperature	: -20°C to +40°C	
Poles	:	4		Altitude	: 1000 m.a.s.l.	
Rated current	:	23.9 A		Protection degree	: IP23	
	:	6.7x(Code H)		Cooling method	: IC01 - ODP	
Rated speed	:	1770 rpm		Mounting	: F-1	
Rated torque	:	10.3 kgfm		Rotation ¹	: Both (CW and CCW)	
Insulation class	:	F		Noise level ²	: 62.0 dB(A)	
Service factor	:	1.15		Starting method	: Direct On Line	
Moment of inertia (J)	:	0.1435 kgm ²		Approx. weight ³	: 163 kg	
Design	:	B				
Output	50%	75%	100%	Foundation loads		
Efficiency (%)	92.4	93.0	93.6	Max. traction	: 329 kgf	
Power Factor	0.67	0.78	0.83	Max. compression	: 492 kgf	
Bearing type	:	Drive end	6311 Z C3	Non drive end	6211 Z C3	
Sealing	:	Without Bearing Seal		Without Bearing Seal		
Lubrication interval	:	20000 h		20000 h		
Lubricant amount	:	18 g		11 g		
Lubricant type	:	Mobil Polyrex EM				
Notes						
This revision replaces and cancel the previous one, which must be eliminated. (1) Looking the motor from the shaft end. (2) Measured at 1m and with tolerance of +3dB(A). (3) Approximate weight subject to changes after manufacturing process. (4) At 100% of full load.			These are average values based on tests with sinusoidal power supply, subject to the tolerances stipulated in NEMA MG-1.			
Rev.	Changes Summary			Performed	Checked	Date
Performed by						
Checked by					Page	Revision
Date	11/05/2026				1 / 2	

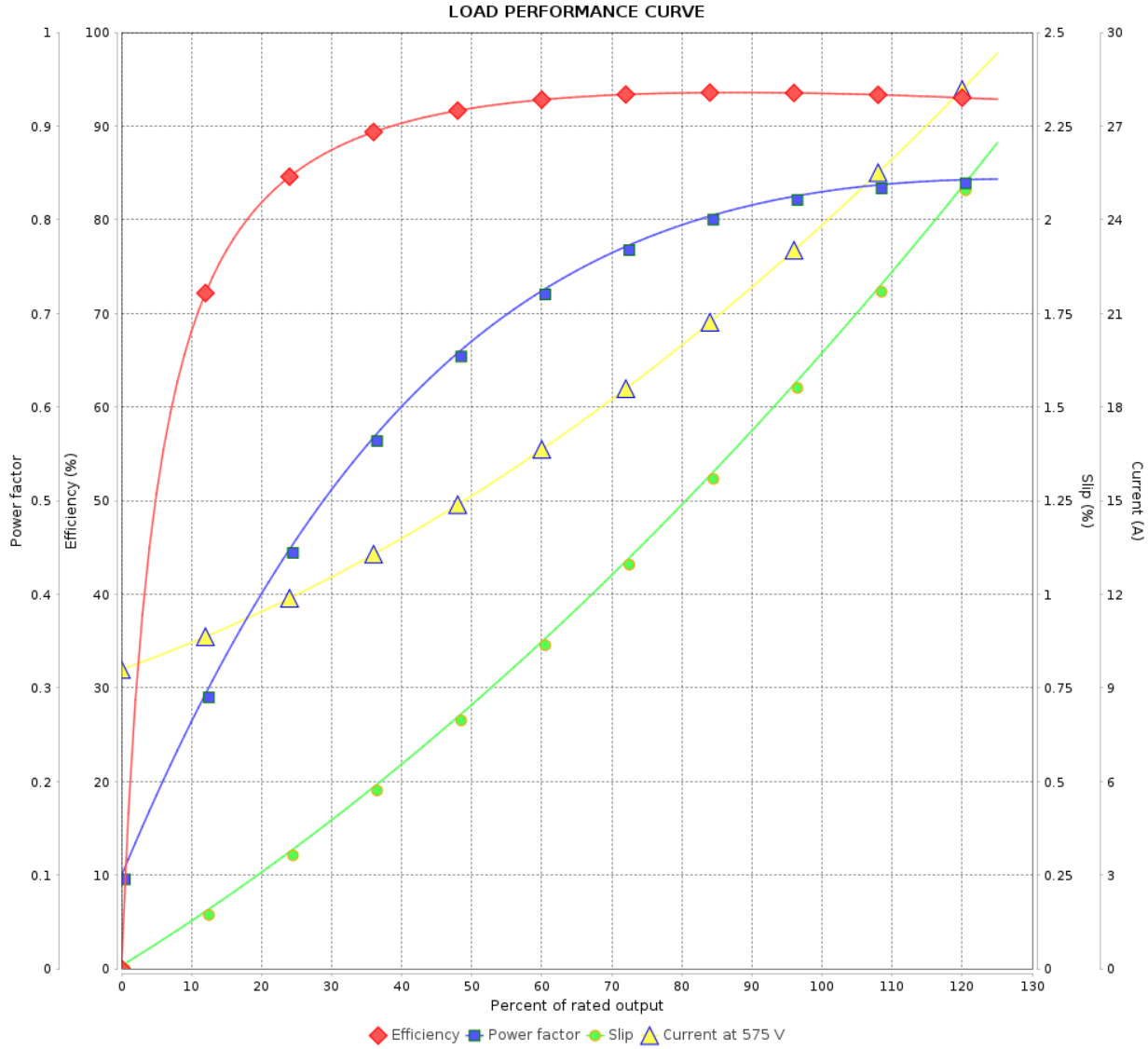
LOAD PERFORMANCE CURVE

Three Phase Induction Motor - Squirrel Cage

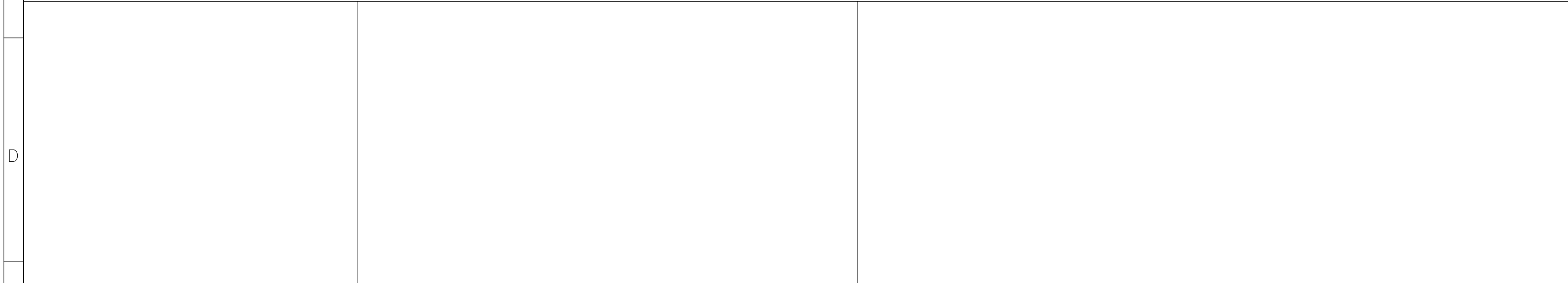
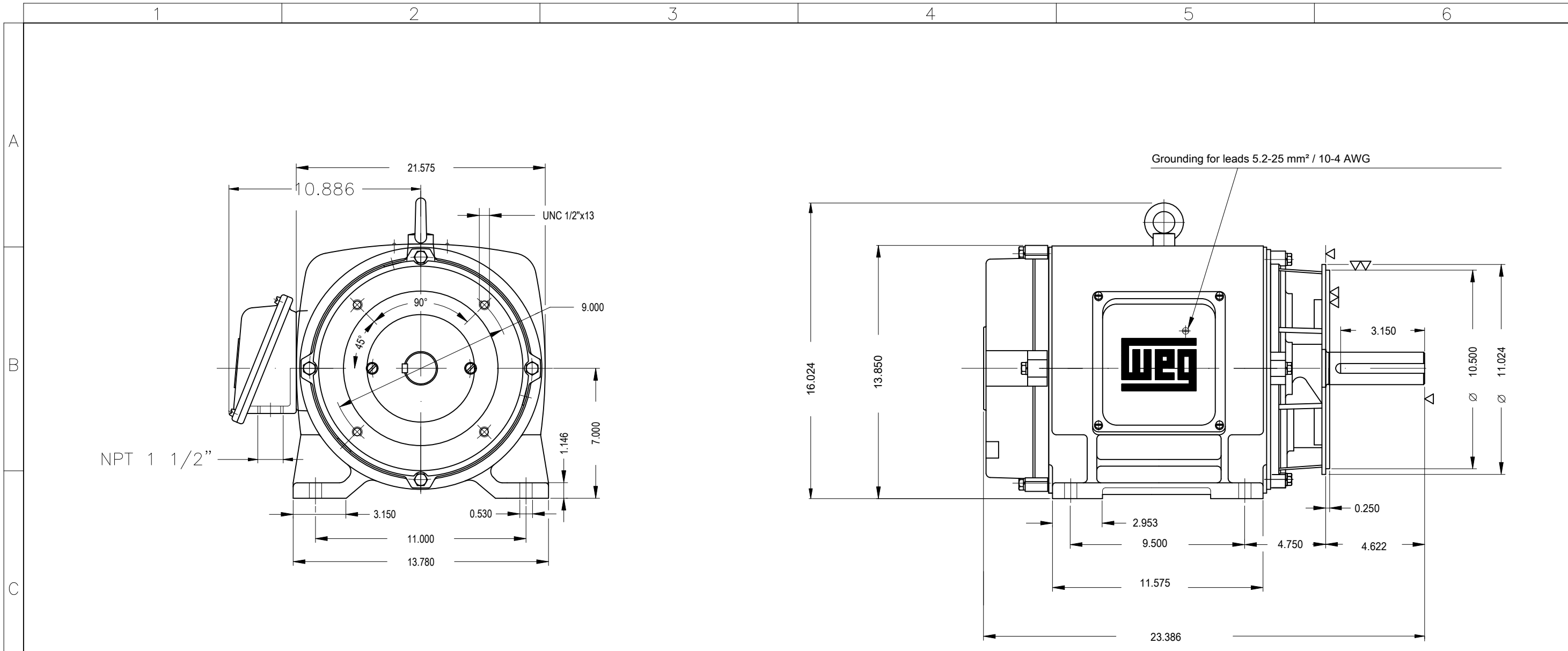


Customer : _____

Product line : ODP NEMA Premium Efficiency Three-Phase Product code : 11003745



Rev.	Changes Summary	Performed	Checked	Date
Performed by		Page 2 / 2		Revision
Checked by				
Date				



Color RAL 5009										25 HP 04 Poles 60 Hz										A						
Painting plan 203A																										
Mounting B34D																										
										HYBRISUSER										00						
ECM										LOC										SUMMARY OF MODIFICATIONS	EXECUTED	CHECKED	RELEASED	DATE	VER	
EXECUTED										HYBRISUSER										THREE PH. MOTOR GENERAL NEMA PREM. EFF.	WDD	00	PREVIEW			
CHECKED																				FRAME 284TC IP23 ODP						
RELEASED																				WMO	Jaragua do Sul	Product Engineering	SHEET	1 / 1	1	1
REL. DATE																										