

DATA SHEET

Three Phase Induction Motor - Squirrel Cage



Customer :				
Product line		: Rolled Steel NEMA Premium Efficiency Three-Phase	Product code :	12675351
Frame	: 182/4TC	Cooling method	: IC411 - TEFC	
Insulation class	: F	Mounting	: F-1	
Duty cycle	: Cont.(S1)	Rotation ¹	: Both (CW and CCW)	
Ambient temperature	: -20°C to +40°C	Starting method	: Direct On Line	
Altitude	: 1000 m.a.s.l.	Approx. weight ³	: 28.4 kg	
Protection degree	: IP55	Moment of inertia (J)	: 0.0066 kgm ²	
Design	: B			
Output [HP]	3	2	2	
Poles	2	2	2	
Frequency [Hz]	60	50	50	
Rated voltage [V]	230/460	190-220/380	415	
Rated current [A]	7.52/3.76	6.56-5.67/3.28	3.19	
L. R. Amperes [A]	66.2/33.1	60.4-52.1/30.2	33.2	
LRC [A]	8.8x(Code K)	9.2x(Code L)	10.4x(Code N)	
No load current [A]	3.40/1.70	3.40-2.94/1.70	2.00	
Rated speed [RPM]	3515	2920	2940	
Slip [%]	2.36	2.67	2.00	
Rated torque [kgfm]	0.619	0.497	0.494	
Locked rotor torque [%]	240	300	350	
Breakdown torque [%]	350	400	480	
Service factor	1.15	1.15	1.15	
Temperature rise	80 K	80 K	80 K	
Locked rotor time	45s (cold) 25s (hot)	55s (cold) 31s (hot)	46s (cold) 26s (hot)	
Noise level ²	68.0 dB(A)	65.0 dB(A)	65.0 dB(A)	
Efficiency (%)	25%			
	50%	84.0	83.3	81.6
	75%	86.5	85.0	85.1
	100%	86.5	85.9	86.2
Power Factor	25%			
	50%	0.70	0.62	0.56
	75%	0.80	0.73	0.67
	100%	0.85	0.81	0.76
Losses at normative operating points (speed;torque), in percentage of rated output power				
Losses (%)	P1 (0,9;1,0)	14.2	14.9	14.5
	P2 (0,5;1,0)	10.4	11.0	10.7
	P3 (0,25;1,0)	10.2	10.8	10.5
	P4 (0,9;0,5)	8.6	9.0	8.8
	P5 (0,5;0,5)	4.8	5.1	4.9
	P6 (0,5;0,25)	3.5	3.7	3.6
	P7 (0,25;0,25)	2.2	2.3	2.3
Bearing type	: Drive end : 6206 ZZ	Non drive end : 6205 ZZ	Foundation loads	
Sealing	: V'Ring	Without Bearing Seal	Max. traction	: 35 kgf
Lubrication interval	: -	-	Max. compression	: 63 kgf
Lubricant amount	: -	-		
Lubricant type	: Mobil Polyrex EM			
This revision replaces and cancel the previous one, which must be eliminated. (1) Looking the motor from the shaft end. (2) Measured at 1m and with tolerance of +3dB(A).		These are average values based on tests with sinusoidal power supply, subject to the tolerances stipulated in NEMA MG-1.		
Rev.	Changes Summary		Performed	Checked
Performed by				
Checked by				
Date	11/05/2026		Page	Revision
			1 / 5	

DATA SHEET

Three Phase Induction Motor - Squirrel Cage



Customer : _____

Notes
USABLE @208V 8.12A SF 1.00 SFA 8.12A

Rev.	Changes Summary	Performed	Checked	Date
Performed by				
Checked by			Page	Revision
Date	11/05/2026		2 / 5	

LOAD PERFORMANCE CURVE

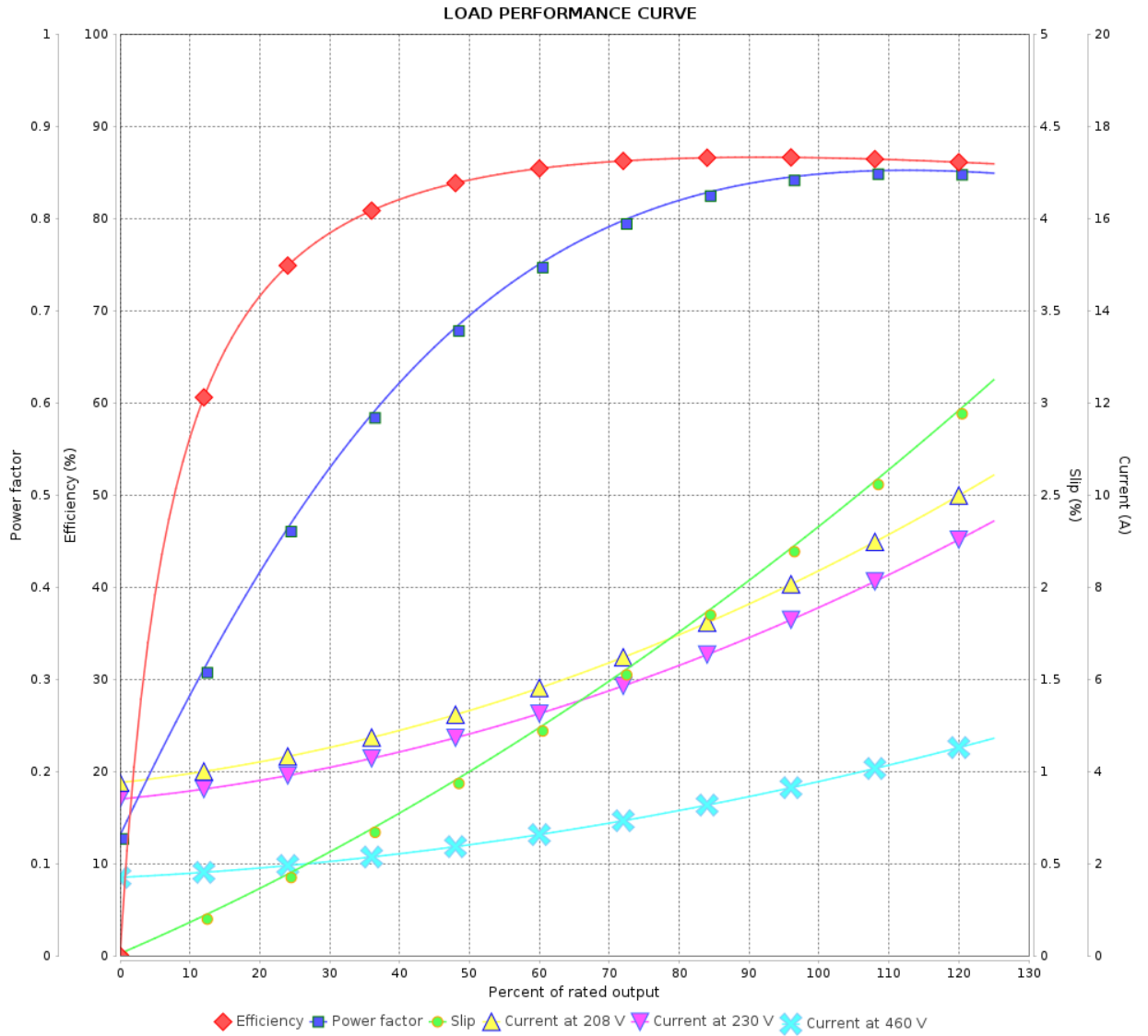
Three Phase Induction Motor - Squirrel Cage



Customer :

Product line : Rolled Steel NEMA Premium Efficiency Three-Phase

Product code : 12675351



Rev.	Changes Summary	Performed	Checked	Date
Performed by			Page 3 / 5	Revision
Checked by				
Date				

LOAD PERFORMANCE CURVE

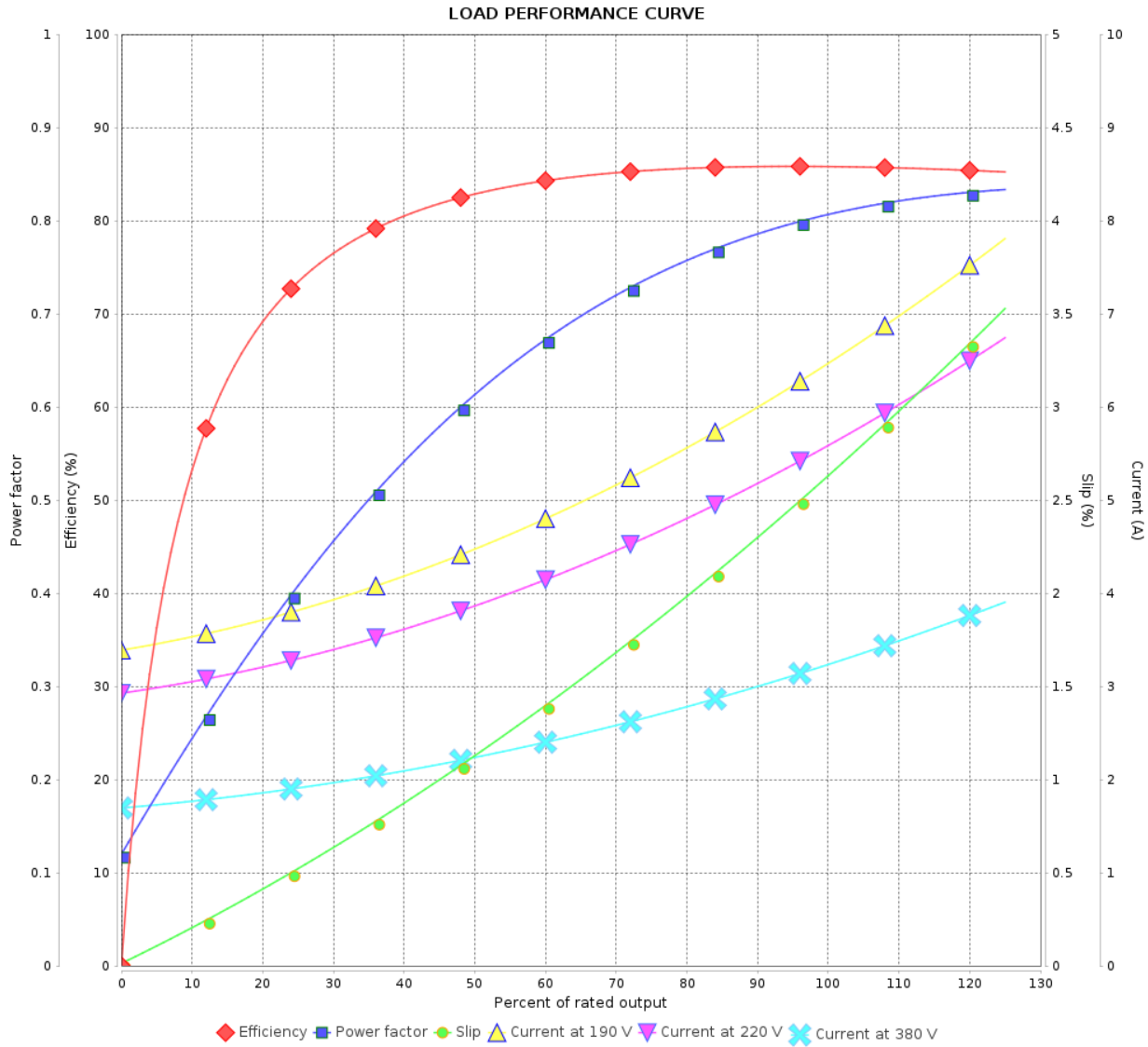
Three Phase Induction Motor - Squirrel Cage



Customer :

Product line : Rolled Steel NEMA Premium
Efficiency Three-Phase

Product code : 12675351



Rev.	Changes Summary	Performed	Checked	Date
Performed by			Page 4 / 5	Revision
Checked by				
Date				

LOAD PERFORMANCE CURVE

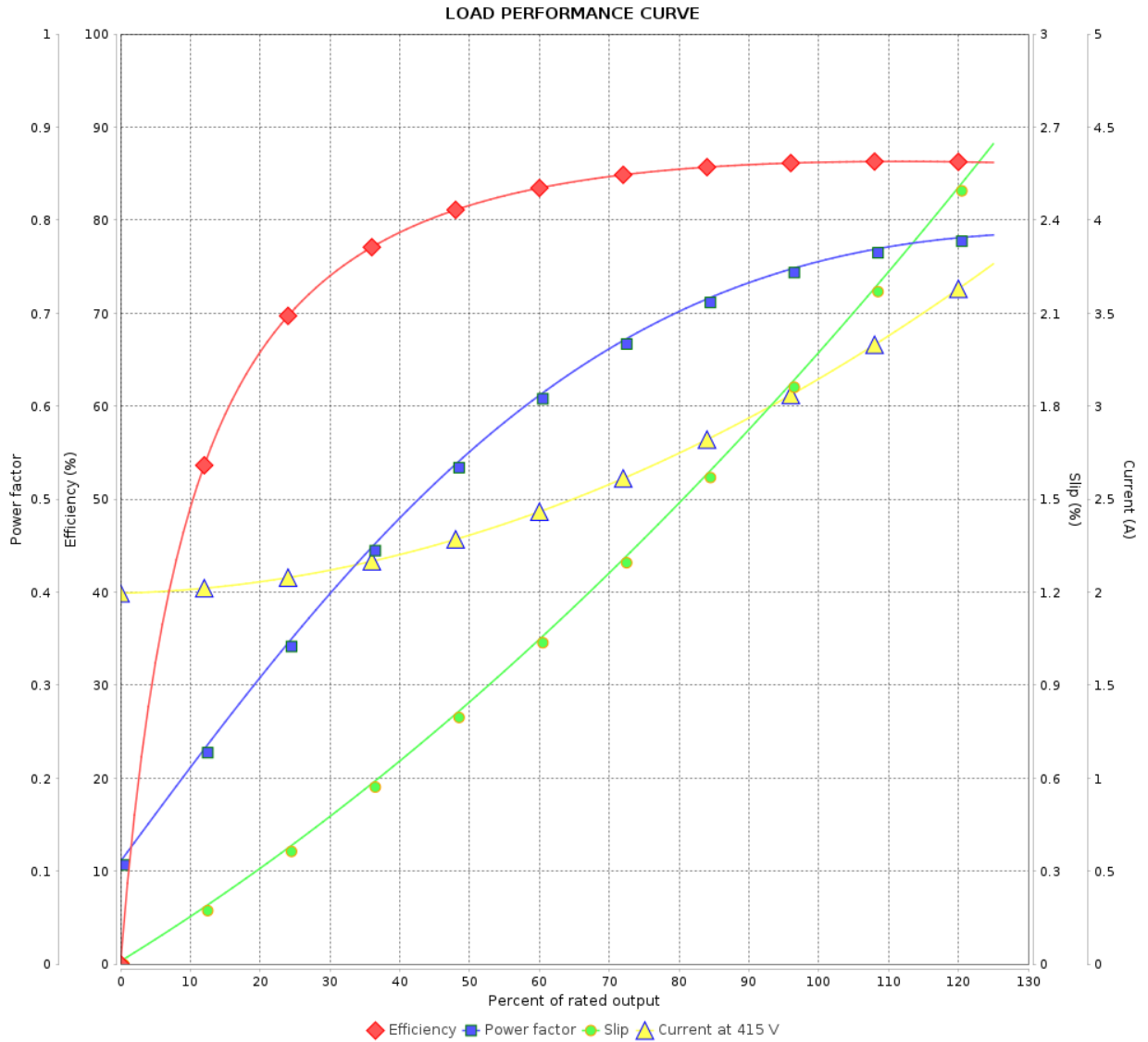
Three Phase Induction Motor - Squirrel Cage



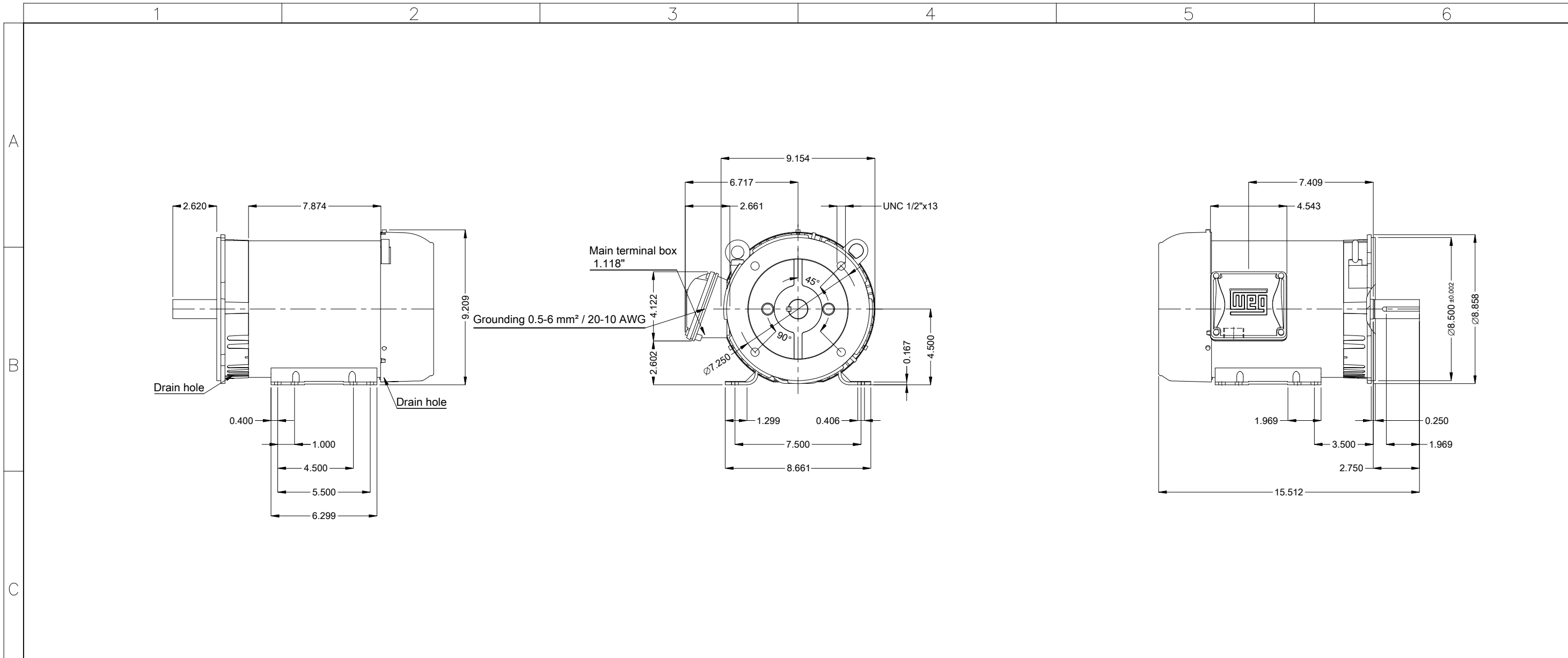
Customer :

Product line : Rolled Steel NEMA Premium
Efficiency Three-Phase

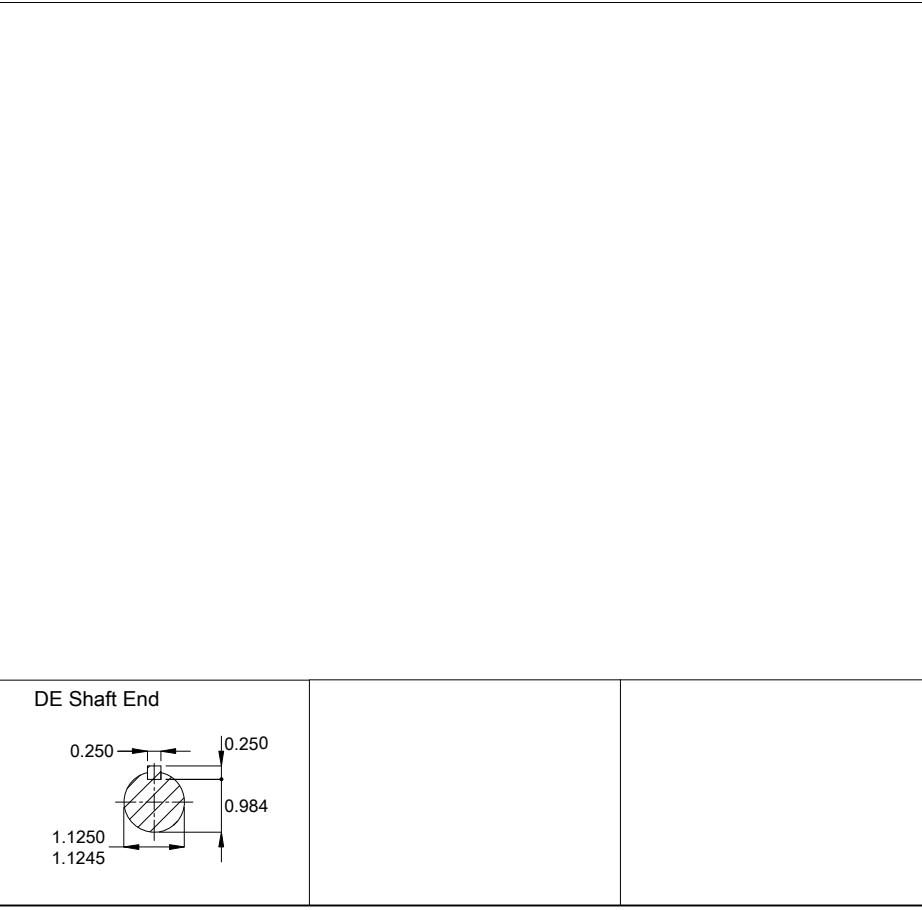
Product code : 12675351



Rev.	Changes Summary	Performed	Checked	Date
Performed by		Page 5 / 5		Revision
Checked by				
Date				



Color Munsell N 1 matte black
 Painting plan 207N
 Mounting MARKET F-1/B34R(D)
 Mounting B34D



3 HP 02 Poles 60 Hz										A	
Scale 1 : 6											
HYBRISUSER										00	
ECM	LOC	SUMMARY OF MODIFICATIONS					EXECUTED	CHECKED	RELEASED	DATE	VER
EXECUTED	HYBRISUSER	THREE PH. MOTOR ROLLED STEEL NEMA PREM. EFF.					PREVIEW		WDD 00		
CHECKED		FRAME 182/4TC IP55 TEFC					SHEET 1 / 1				
RELEASED											
REL. DATE											