

# DATA SHEET



## Three Phase Induction Motor - Squirrel Cage

Customer :				
Product line		: Rolled Steel NEMA Premium Efficiency Three-Phase	Product code : 12675363	
Frame	: 182/4TC	Cooling method	: IC411 - TEFC	
Insulation class	: F	Mounting	: F-1	
Duty cycle	: Cont.(S1)	Rotation <sup>1</sup>	: Both (CW and CCW)	
Ambient temperature	: -20°C to +40°C	Starting method	: Direct On Line	
Altitude	: 1000 m.a.s.l.	Approx. weight <sup>3</sup>	: 39.6 kg	
Protection degree	: IP55	Moment of inertia (J)	: 0.0169 kgm <sup>2</sup>	
Design	: B			
Output [HP]	3	3	3	
Poles	4	4	4	
Frequency [Hz]	60	50	50	
Rated voltage [V]	230/460	190-220/380	415	
Rated current [A]	7.62/3.81	9.08-7.84/4.54	4.40	
L. R. Amperes [A]	67.1/33.5	60.8-52.5/30.4	33.0	
LRC [A]	8.8x(Code K)	6.7x(Code H)	7.5x(Code J)	
No load current [A]	4.00/2.00	3.94-3.40/1.97	2.11	
Rated speed [RPM]	1765	1455	1460	
Slip [%]	1.94	3.00	2.67	
Rated torque [kgfm]	1.23	1.50	1.49	
Locked rotor torque [%]	220	180	200	
Breakdown torque [%]	300	260	290	
Service factor	1.15	1.15	1.15	
Temperature rise	80 K	80 K	80 K	
Locked rotor time	32s (cold) 18s (hot)	45s (cold) 25s (hot)	41s (cold) 23s (hot)	
Noise level <sup>2</sup>	56.0 dB(A)	53.0 dB(A)	53.0 dB(A)	
Efficiency (%)	25%	0.000	0.000	0.000
	50%	87.5	87.5	87.2
	75%	88.5	87.7	87.9
	100%	89.5	86.7	87.0
Power Factor	25%	0.00	0.00	0.00
	50%	0.61	0.68	0.65
	75%	0.74	0.79	0.77
	100%	0.81	0.85	0.83
Losses at normative operating points (speed;torque), in percentage of rated output power				
Losses (%)	P1 (0,9;1,0)	12.6	13.6	13.7
	P2 (0,5;1,0)	10.6	11.4	11.6
	P3 (0,25;1,0)	10.2	10.9	11.1
	P4 (0,9;0,5)	6.8	7.3	7.4
	P5 (0,5;0,5)	4.8	5.1	5.2
	P6 (0,5;0,25)	3.5	3.8	3.8
	P7 (0,25;0,25)	2.6	2.8	2.8
Bearing type	: Drive end : 6206 ZZ	Non drive end : 6205 ZZ	Foundation loads	
Sealing	: V'Ring	Without Bearing Seal	Max. traction : 71 kgf	
Lubrication interval	: -	-	Max. compression : 110 kgf	
Lubricant amount	: -	-		
Lubricant type	: Mobil Polyrex EM			
This revision replaces and cancel the previous one, which must be eliminated. (1) Looking the motor from the shaft end. (2) Measured at 1m and with tolerance of +3dB(A).		These are average values based on tests with sinusoidal power supply, subject to the tolerances stipulated in NEMA MG-1.		
Rev.	Changes Summary		Performed	Checked
Performed by				
Checked by				
Date	11/05/2026		Page	Revision
			1 / 5	

# DATA SHEET

## Three Phase Induction Motor - Squirrel Cage



Customer : \_\_\_\_\_

Notes  
USABLE @208V 8.43A SF 1.00 SFA 8.43A

Rev.	Changes Summary	Performed	Checked	Date
Performed by				
Checked by			Page	Revision
Date	11/05/2026		2 / 5	

# LOAD PERFORMANCE CURVE

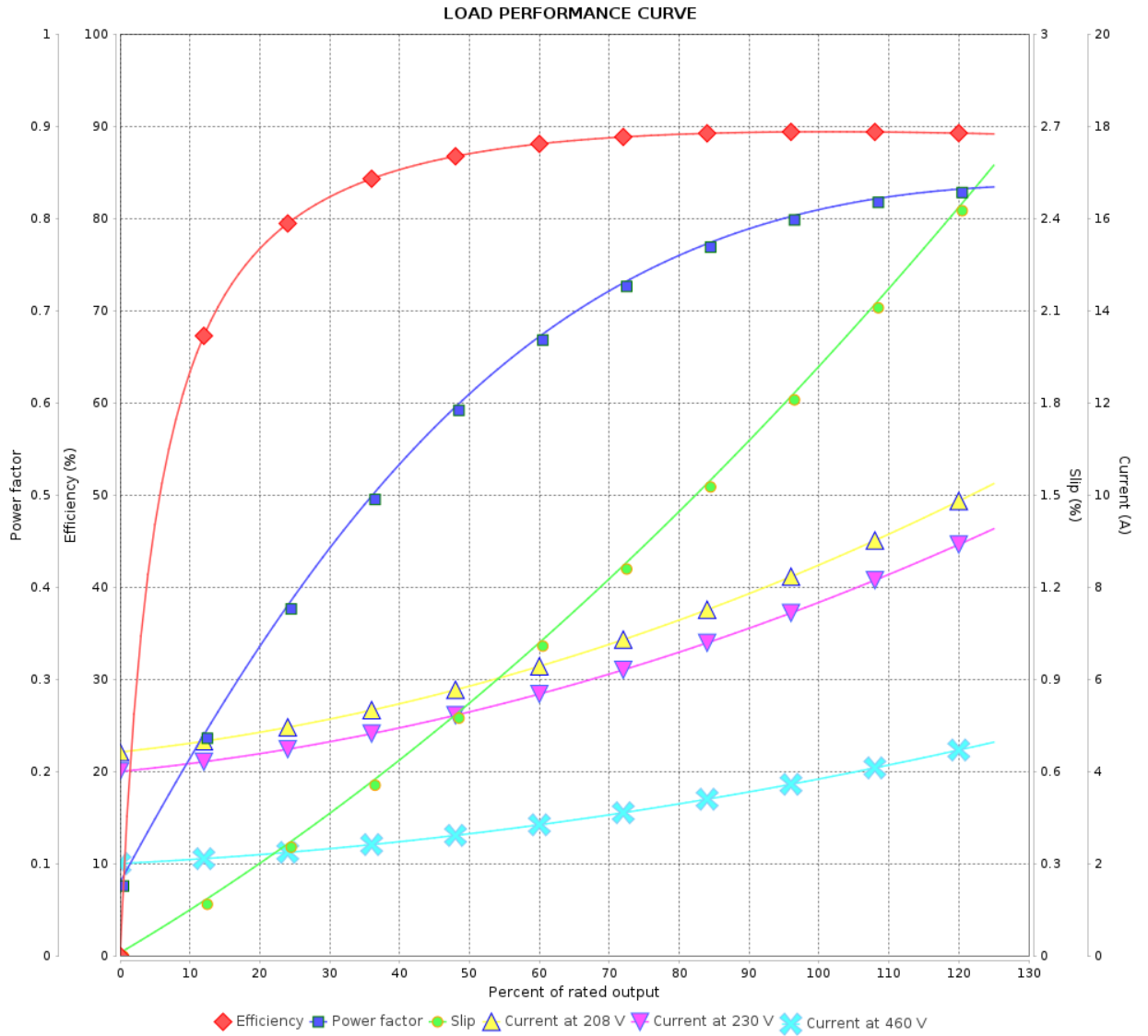
## Three Phase Induction Motor - Squirrel Cage



Customer : \_\_\_\_\_

Product line : Rolled Steel NEMA Premium Efficiency Three-Phase

Product code : 12675363



Rev.	Changes Summary	Performed	Checked	Date
Performed by			Page 3 / 5	Revision
Checked by				
Date				

# LOAD PERFORMANCE CURVE

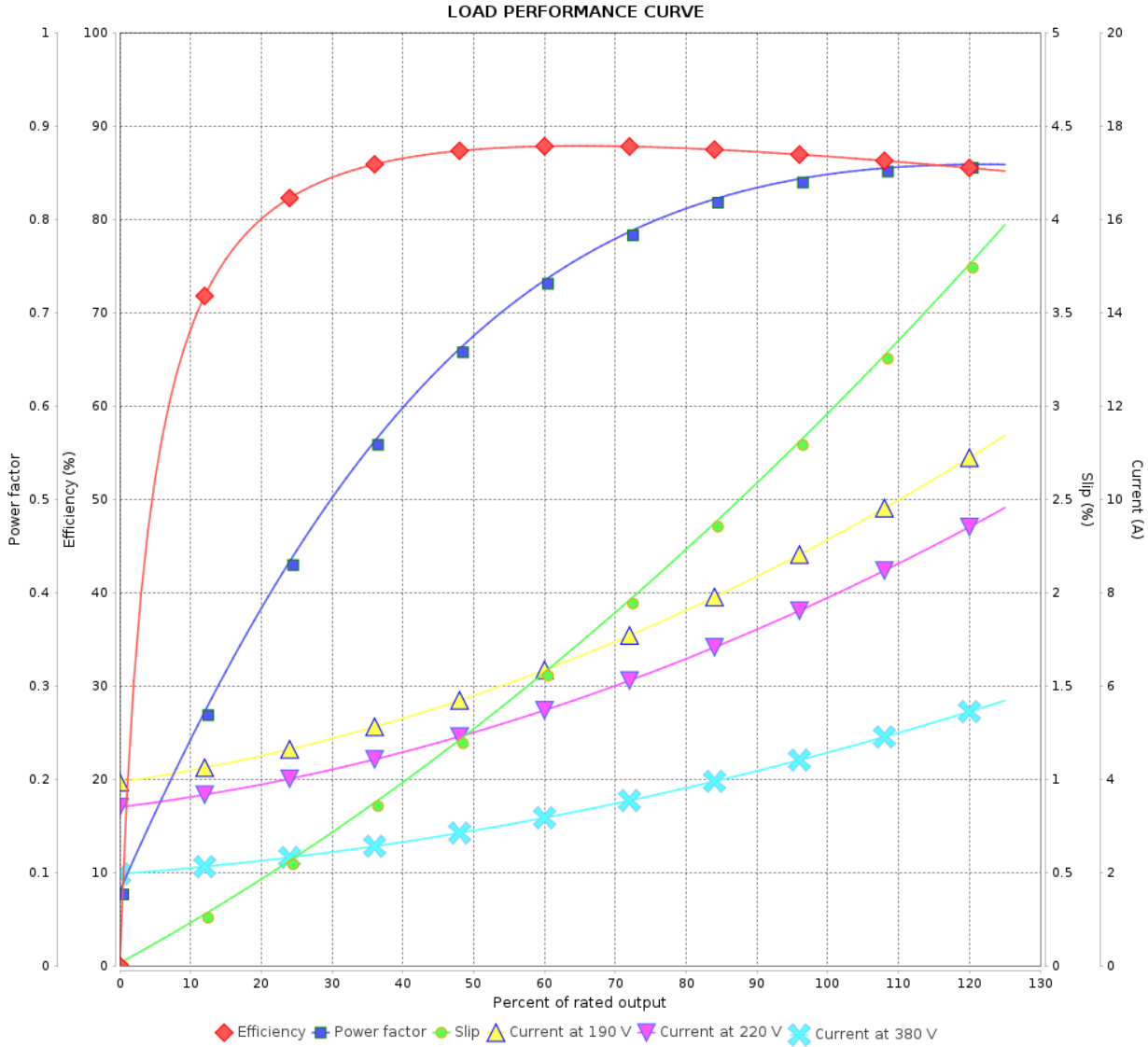
Three Phase Induction Motor - Squirrel Cage



Customer :

Product line : Rolled Steel NEMA Premium  
Efficiency Three-Phase

Product code : 12675363



Rev.	Changes Summary	Performed	Checked	Date
Performed by			Page 4 / 5	Revision
Checked by				
Date 11/05/2026				

# LOAD PERFORMANCE CURVE

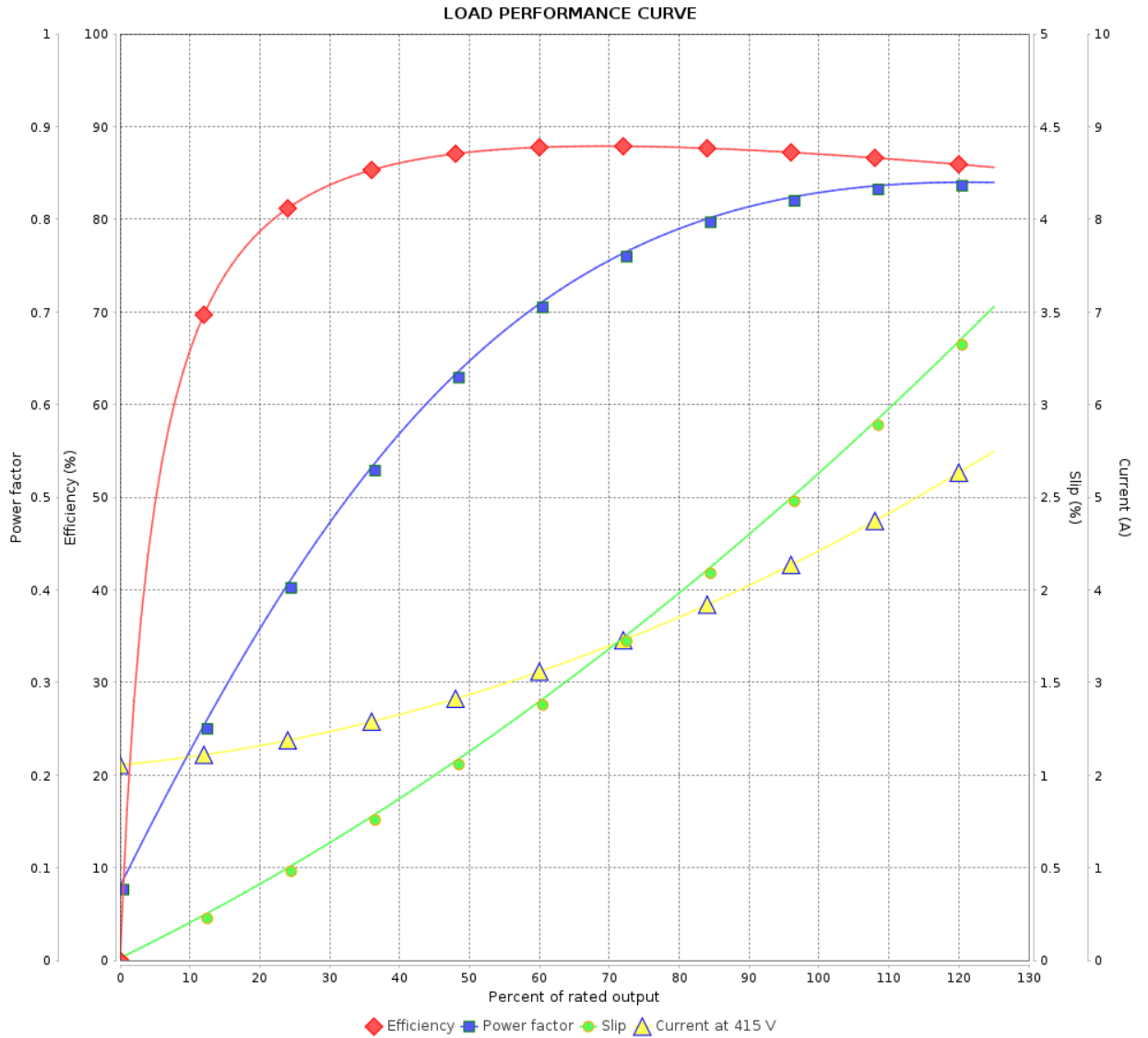
## Three Phase Induction Motor - Squirrel Cage



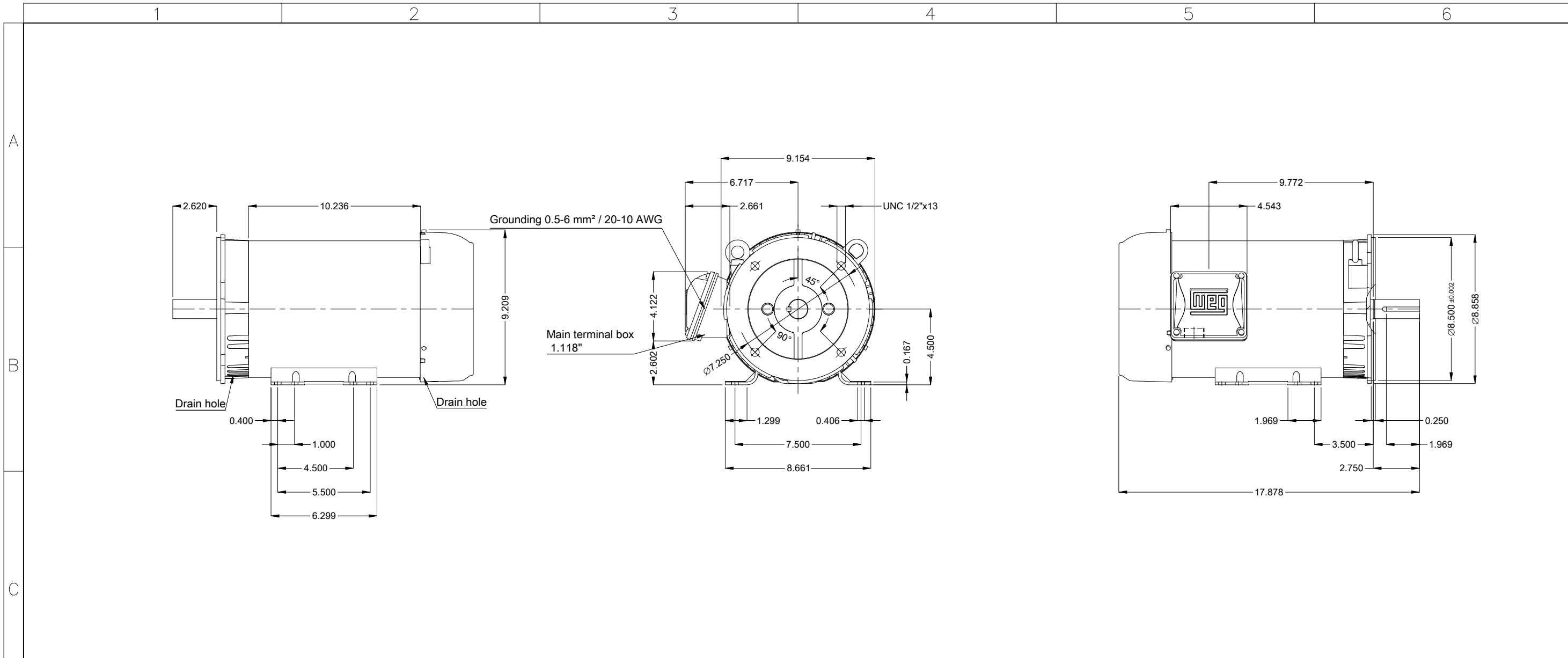
Customer :

Product line : Rolled Steel NEMA Premium  
Efficiency Three-Phase

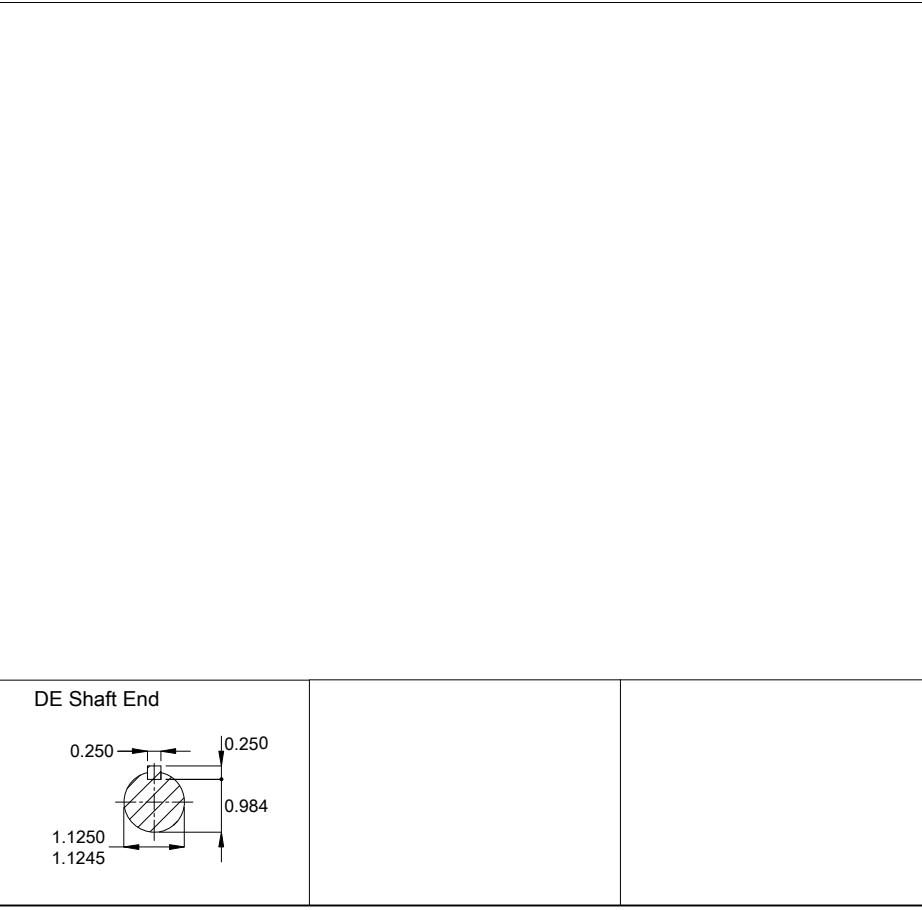
Product code : 12675363



Rev.	Changes Summary	Performed	Checked	Date
Performed by				
Checked by				
Date				
			Page	Revision
			5 / 5	



Color Munsell N 1 matte black  
 Painting plan 207N  
 Mounting MARKET F-1/B34R(D)  
 Mounting B34D



3 HP 04 Poles 60 Hz										A	
Scale 1 : 6											
HYBRISUSER										00	
ECM	LOC	SUMMARY OF MODIFICATIONS					EXECUTED	CHECKED	RELEASED	DATE	VER
EXECUTED	HYBRISUSER	THREE PH. MOTOR ROLLED STEEL NEMA PREM. EFF.						PREVIEW			
CHECKED		FRAME 182/4TC IP55 TEFC						WDD	00		
RELEASED								SHEET	1 / 1		
REL. DATE											