

# DATA SHEET



## Three Phase Induction Motor - Squirrel Cage

Customer :							
Product line		: Rolled Steel NEMA Premium Efficiency Three-Phase			Product code :		12845391
Frame	:	182/4TC		Locked rotor time	:	45s (cold) 25s (hot)	
Output	:	3 HP (2.2 kW)		Temperature rise	:	80 K	
Frequency	:	60 Hz		Duty cycle	:	Cont.(S1)	
Rated voltage	:	575 V		Ambient temperature	:	-20°C to +40°C	
Poles	:	2		Altitude	:	1000 m.a.s.l.	
Rated current	:	3.01 A		Protection degree	:	IP55	
	:	8.8x(Code K)		Cooling method	:	IC411 - TEFC	
Rated speed	:	3515 rpm		Mounting	:	F-1	
Rated torque	:	0.619 kgfm		Rotation <sup>1</sup>	:	Both (CW and CCW)	
Insulation class	:	F		Noise level <sup>2</sup>	:	68.0 dB(A)	
Service factor	:	1.15		Starting method	:	Direct On Line	
Moment of inertia (J)	:	0.0066 kgm <sup>2</sup>		Approx. weight <sup>3</sup>	:	28.5 kg	
Design	:	B					
Output	50%	75%	100%	Foundation loads			
Efficiency (%)	84.0	86.5	86.5	Max. traction		: 31 kgf	
Power Factor	0.70	0.80	0.85	Max. compression		: 59 kgf	
Losses at normative operating points (speed;torque), in percentage of rated output power							
P1 (0,9;1,0)	P2 (0,5;1,0)	P3 (0,25;1,0)	P4 (0,9;0,5)	P5 (0,5;0,5)	P6 (0,5;0,25)	P7 (0,25;0,25)	
14.2	10.4	10.2	8.6	4.8	3.5	2.2	
				<u>Drive end</u>		<u>Non drive end</u>	
Bearing type	:	6206 ZZ		6205 ZZ			
Sealing	:	V'Ring		Without Bearing Seal			
Lubrication interval	:	-		-			
Lubricant amount	:	-		-			
Lubricant type	:	Mobil Polyrex EM					
Notes							
This revision replaces and cancel the previous one, which must be eliminated. (1) Looking the motor from the shaft end. (2) Measured at 1m and with tolerance of +3dB(A). (3) Approximate weight subject to changes after manufacturing process. (4) At 100% of full load.				These are average values based on tests with sinusoidal power supply, subject to the tolerances stipulated in NEMA MG-1.			
Rev.	Changes Summary			Performed	Checked	Date	
Performed by							
Checked by					Page	Revision	
Date	11/05/2026				1 / 2		

# LOAD PERFORMANCE CURVE

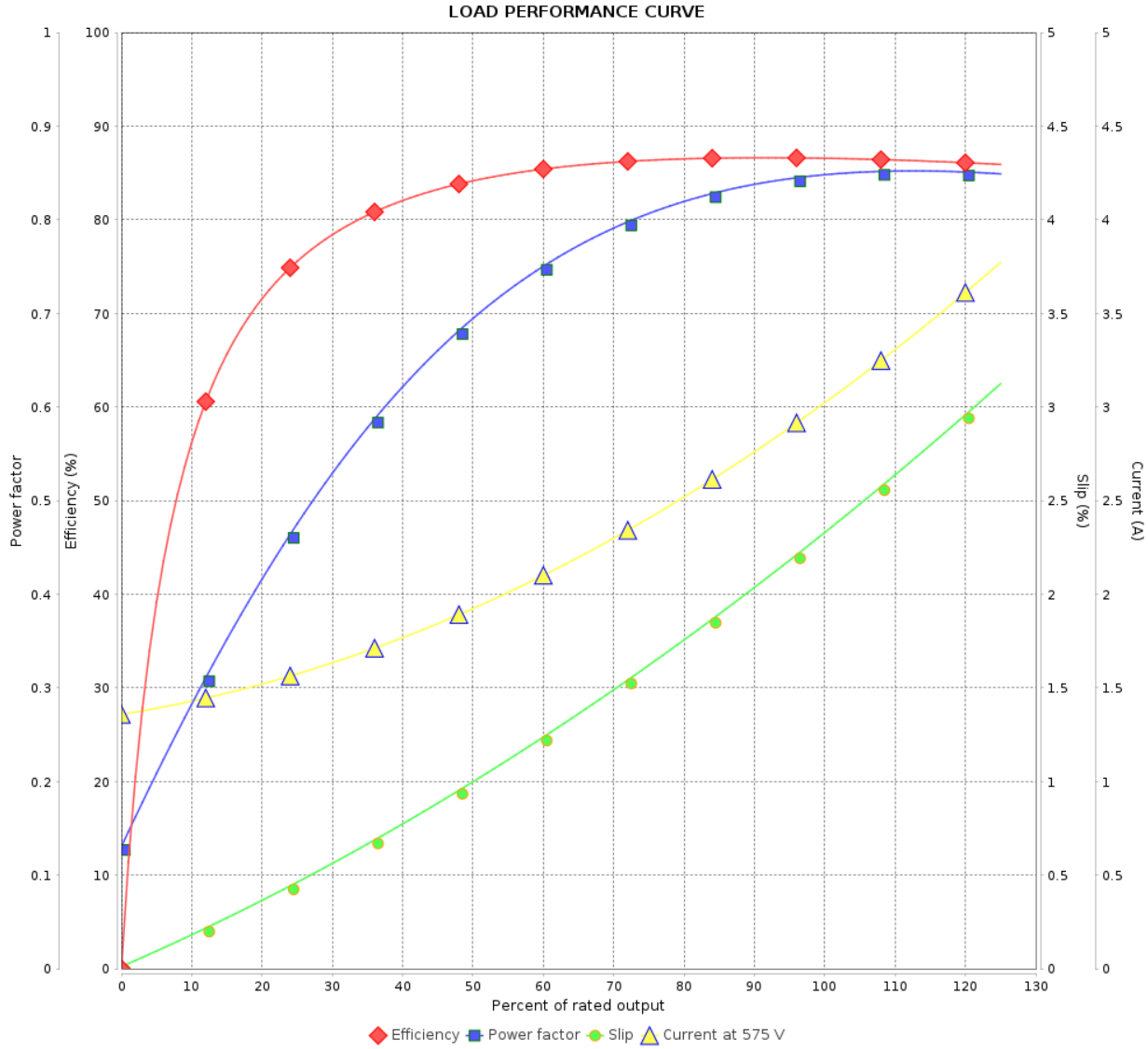
Three Phase Induction Motor - Squirrel Cage



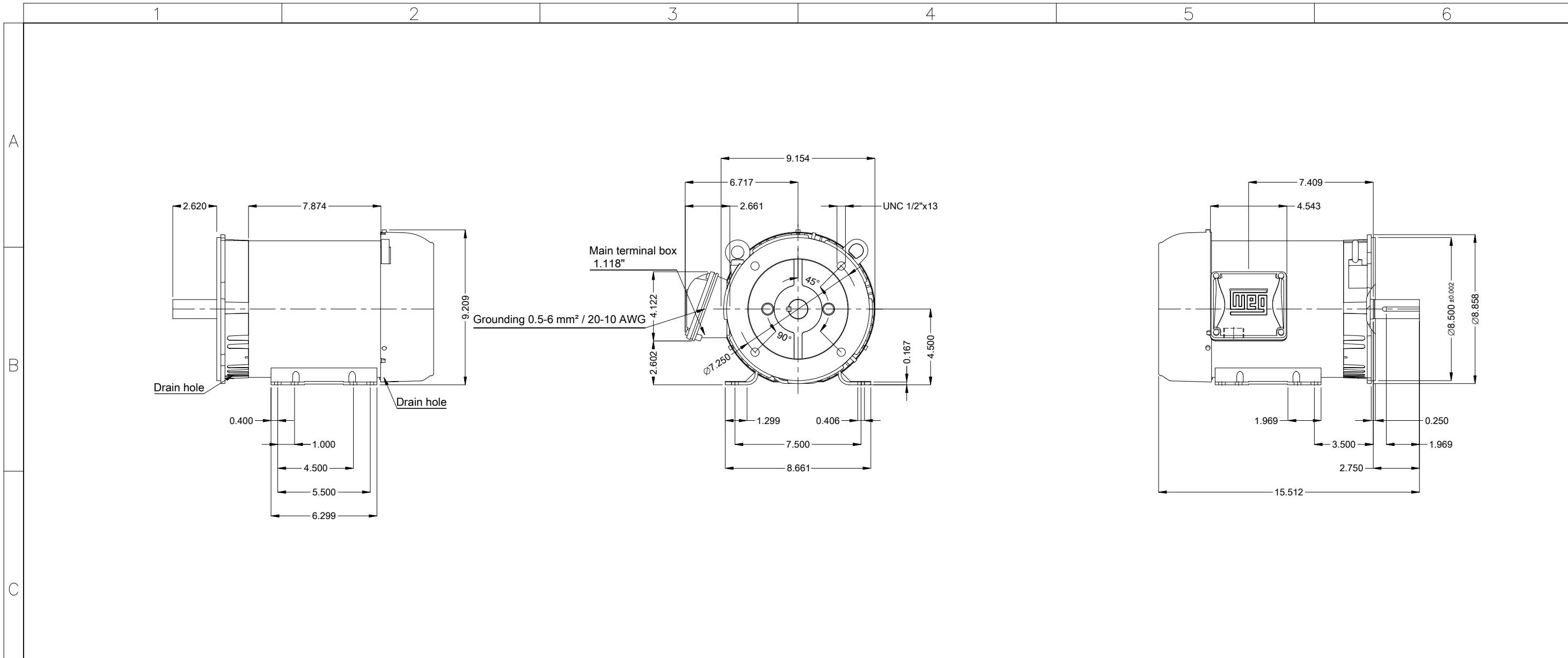
Customer : \_\_\_\_\_

Product line : Rolled Steel NEMA Premium  
Efficiency Three-Phase

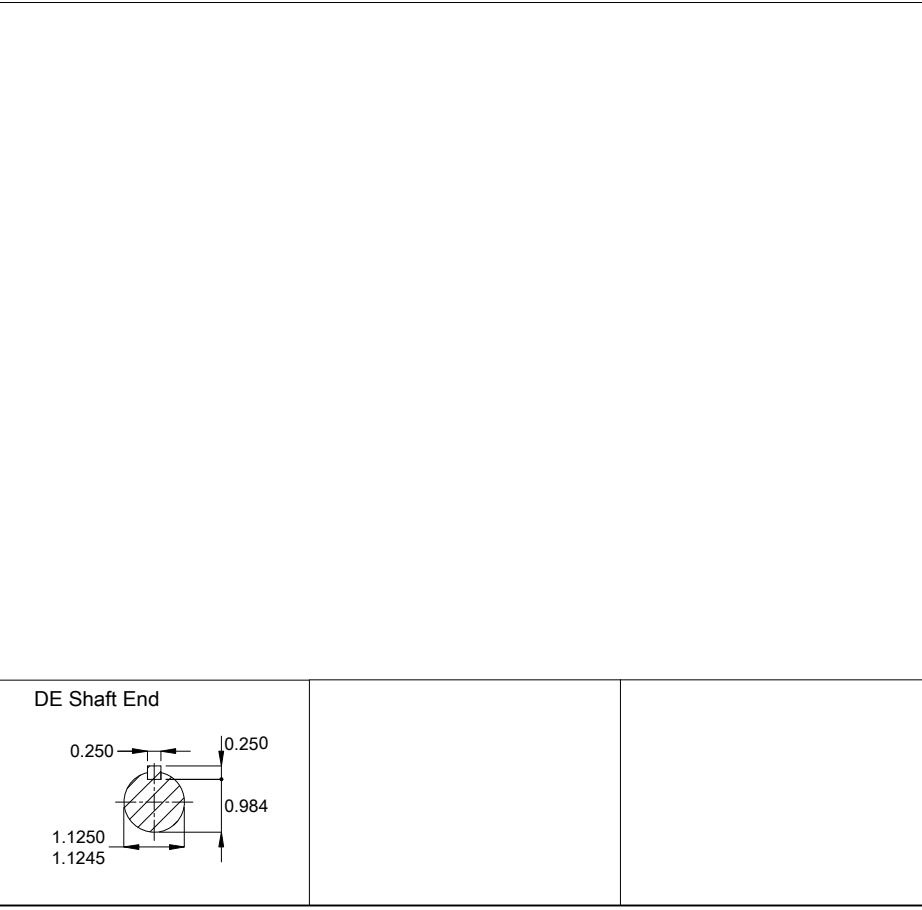
Product code : 12845391



Rev.	Changes Summary	Performed	Checked	Date
Performed by			Page 2 / 2	Revision
Checked by				
Date				



Color Munsell N 1 matte black
Painting plan 207N
Mounting MARKET F-1/B34R(D)
Mounting B34D



3 HP 02 Poles 60 Hz		A	
Scale 1 : 6			
ECM	LOC	HYBRISUSER	
EXECUTED	HYBRISUSER	EXECUTED	00
CHECKED		CHECKED	
RELEASED		RELEASED	
REL. DATE		DATE	VER
THREE PH. MOTOR ROLLED STEEL NEMA PREM. EFF.		PREVIEW	
FRAME 182/4TC IP55 TEFC		WDD 00	
		SHEET 1 / 1	

Dimensions in inches

A3