

# DATA SHEET



## Three Phase Induction Motor - Squirrel Cage

Customer :

Product line : Rolled Steel NEMA Premium Efficiency Three-Phase      Product code : 14893734

Frame	: 182/4TC	Locked rotor time	: 45s (cold) 25s (hot)
Output	: 3 HP (2.2 kW)	Temperature rise	: 80 K
Frequency	: 60 Hz	Duty cycle	: Cont.(S1)
Rated voltage	: 575 V	Ambient temperature	: -20°C to +40°C
Poles	: 2	Altitude	: 1000 m.a.s.l.
Rated current	: 3.01 A	Protection degree	: IP55
	: 8.8x(Code K)	Cooling method	: IC411 - TEFC
Rated speed	: 3515 rpm	Mounting	: F-1
Rated torque	: 0.619 kgfm	Rotation <sup>1</sup>	: Both (CW and CCW)
Insulation class	: F	Noise level <sup>2</sup>	: 68.0 dB(A)
Service factor	: 1.15	Starting method	: Direct On Line
Moment of inertia (J)	: 0.0066 kgm <sup>2</sup>	Approx. weight <sup>3</sup>	: 28.5 kg
Design	: B		

Output	50%	75%	100%	Foundation loads	
Efficiency (%)	84.0	86.5	86.5	Max. traction	: 31 kgf
Power Factor	0.70	0.80	0.85	Max. compression	: 59 kgf

Losses at normative operating points (speed;torque), in percentage of rated output power

P1 (0,9;1,0)	P2 (0,5;1,0)	P3 (0,25;1,0)	P4 (0,9;0,5)	P5 (0,5;0,5)	P6 (0,5;0,25)	P7 (0,25;0,25)
14.2	10.4	10.2	8.6	4.8	3.5	2.2

	Drive end	Non drive end
Bearing type	: 6206 ZZ	: 6205 ZZ
Sealing	: V'Ring	: Without Bearing Seal
Lubrication interval	: -	: -
Lubricant amount	: -	: -
Lubricant type	: Mobil Polyrex EM	

### Notes

This revision replaces and cancel the previous one, which must be eliminated.

- (1) Looking the motor from the shaft end.
- (2) Measured at 1m and with tolerance of +3dB(A).
- (3) Approximate weight subject to changes after manufacturing process.
- (4) At 100% of full load.

These are average values based on tests with sinusoidal power supply, subject to the tolerances stipulated in NEMA MG-1.

Rev.	Changes Summary	Performed	Checked	Date
Performed by		Page		Revision
Checked by		1 / 2		
Date	11/05/2026			

# LOAD PERFORMANCE CURVE

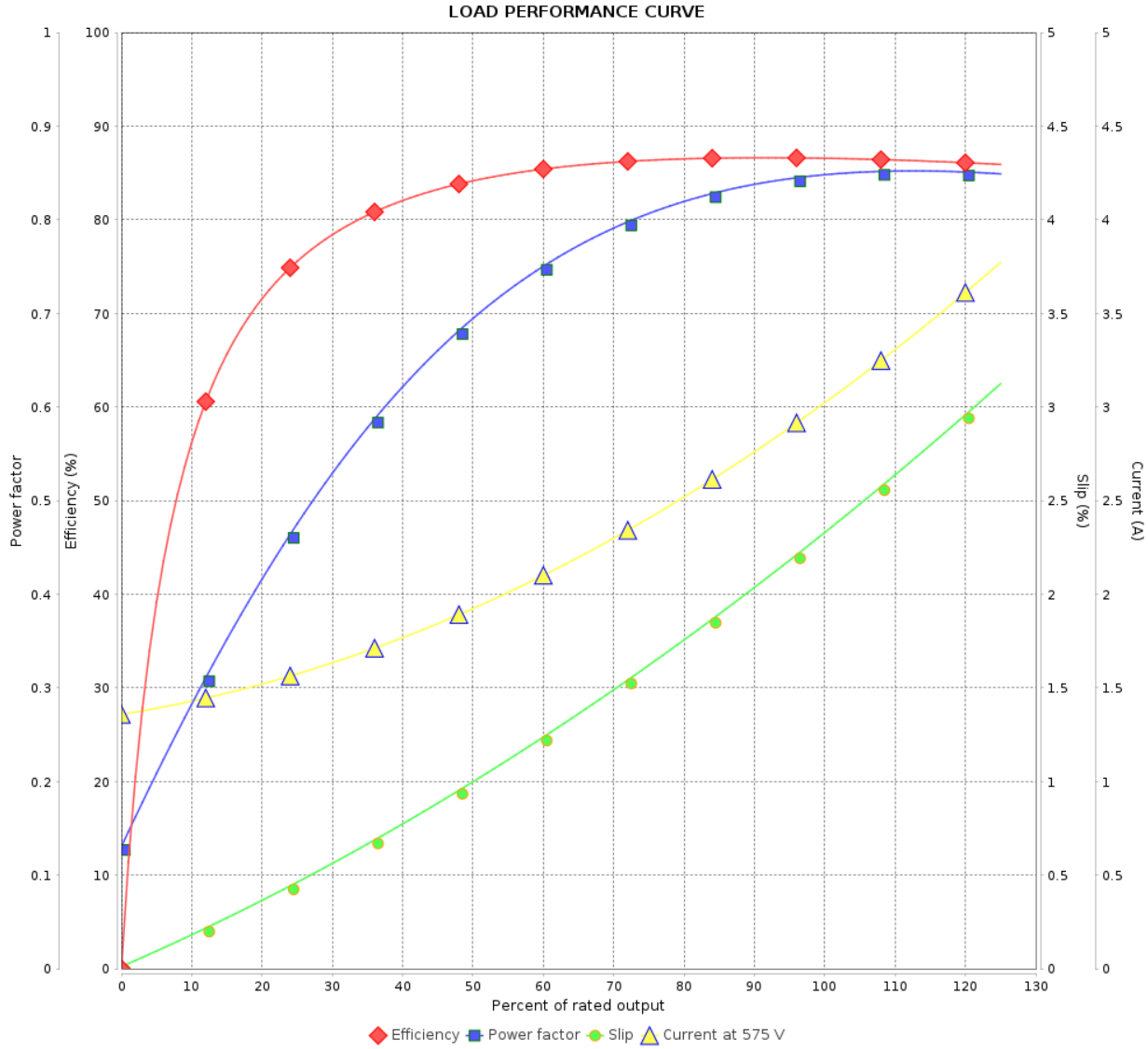
Three Phase Induction Motor - Squirrel Cage



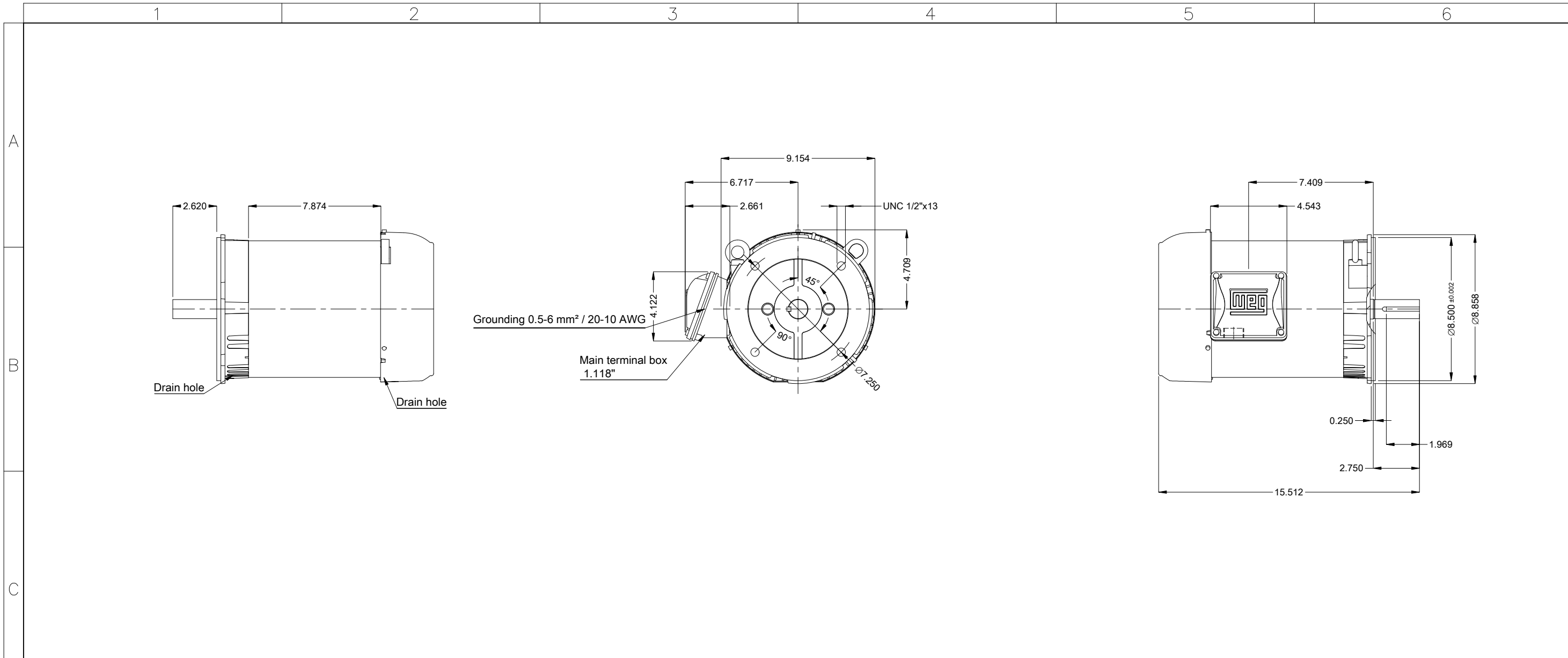
Customer : \_\_\_\_\_

Product line : Rolled Steel NEMA Premium  
Efficiency Three-Phase

Product code : 14893734



Rev.	Changes Summary	Performed	Checked	Date
Performed by			Page 2 / 2	Revision
Checked by				
Date				



D										

E	3 HP 02 Poles 60 Hz										A	
	Scale 1 : 6											
	HYBRISUSER										00	
	ECM	LOC	SUMMARY OF MODIFICATIONS					EXECUTED	CHECKED	RELEASED	DATE	VER
	EXECUTED	HYBRISUSER	THREE PH. MOTOR ROLLED STEEL NEMA PREM. EFF. FRAME 182/4TC IP55 TEFC					EXECUTED	CHECKED	RELEASED	DATE	VER
CHECKED							EXECUTED	CHECKED	RELEASED	DATE	VER	
RELEASED							EXECUTED	CHECKED	RELEASED	DATE	VER	
REL. DATE							EXECUTED	CHECKED	RELEASED	DATE	VER	
						PREVIEW		WDD 00		SHEET 1 / 1		
Color Munsell N 1 matte black						WEG						
Painting plan 207N												
Mounting MARKET F-1/B14R(D)												
Mounting F-1/B14R(D)												