

DATA SHEET



Three Phase Induction Motor - Squirrel Cage

Customer :							
Product line		: Rolled Steel NEMA Premium Efficiency Three-Phase			Product code : 12651247		
Frame	: 213/5TC			Locked rotor time	: 27s (cold) 15s (hot)		
Output	: 10 HP (7.5 kW)			Temperature rise	: 80 K		
Frequency	: 60 Hz			Duty cycle	: Cont.(S1)		
Rated voltage	: 230/460 V			Ambient temperature	: -20°C to +40°C		
Poles	: 4			Altitude	: 1000 m.a.s.l.		
Rated current	: 24.2/12.1 A			Protection degree	: IP55		
	: 7.3x(Code H)			Cooling method	: IC411 - TEFC		
Rated speed	: 1770 rpm			Mounting	: F-1		
Rated torque	: 4.10 kgfm			Rotation ¹	: Both (CW and CCW)		
Insulation class	: F			Noise level ²	: 60.0 dB(A)		
Service factor	: 1.15			Starting method	: Direct On Line		
Moment of inertia (J)	: 0.0451 kgm ²			Approx. weight ³	: 73.6 kg		
Design	: B						
Output	25%	50%	75%	100%	Foundation loads		
Efficiency (%)	0.000	90.2	91.0	91.7	Max. traction : 0 kgf		
Power Factor	0.00	0.68	0.80	0.85	Max. compression : 0 kgf		
Losses at normative operating points (speed;torque), in percentage of rated output power							
P1 (0,9;1,0)	P2 (0,5;1,0)	P3 (0,25;1,0)	P4 (0,9;0,5)	P5 (0,5;0,5)	P6 (0,5;0,25)	P7 (0,25;0,25)	
8.8	7.7	7.3	4.2	3.0	2.0	1.5	
		<u>Drive end</u>		<u>Non drive end</u>			
Bearing type	:	6208 ZZ		6206 ZZ			
Sealing	:	V'Ring		Without Bearing Seal			
Lubrication interval	:	-		-			
Lubricant amount	:	-		-			
Lubricant type	:	Mobil Polyrex EM					
Notes							
USABLE @208V 27.0A SF 1.00 SFA 27.0A							
This revision replaces and cancel the previous one, which must be eliminated. (1) Looking the motor from the shaft end. (2) Measured at 1m and with tolerance of +3dB(A). (3) Approximate weight subject to changes after manufacturing process. (4) At 100% of full load.				These are average values based on tests with sinusoidal power supply, subject to the tolerances stipulated in NEMA MG-1.			
Rev.	Changes Summary			Performed	Checked	Date	
Performed by							
Checked by					Page	Revision	
Date	12/05/2026				1 / 2		

LOAD PERFORMANCE CURVE

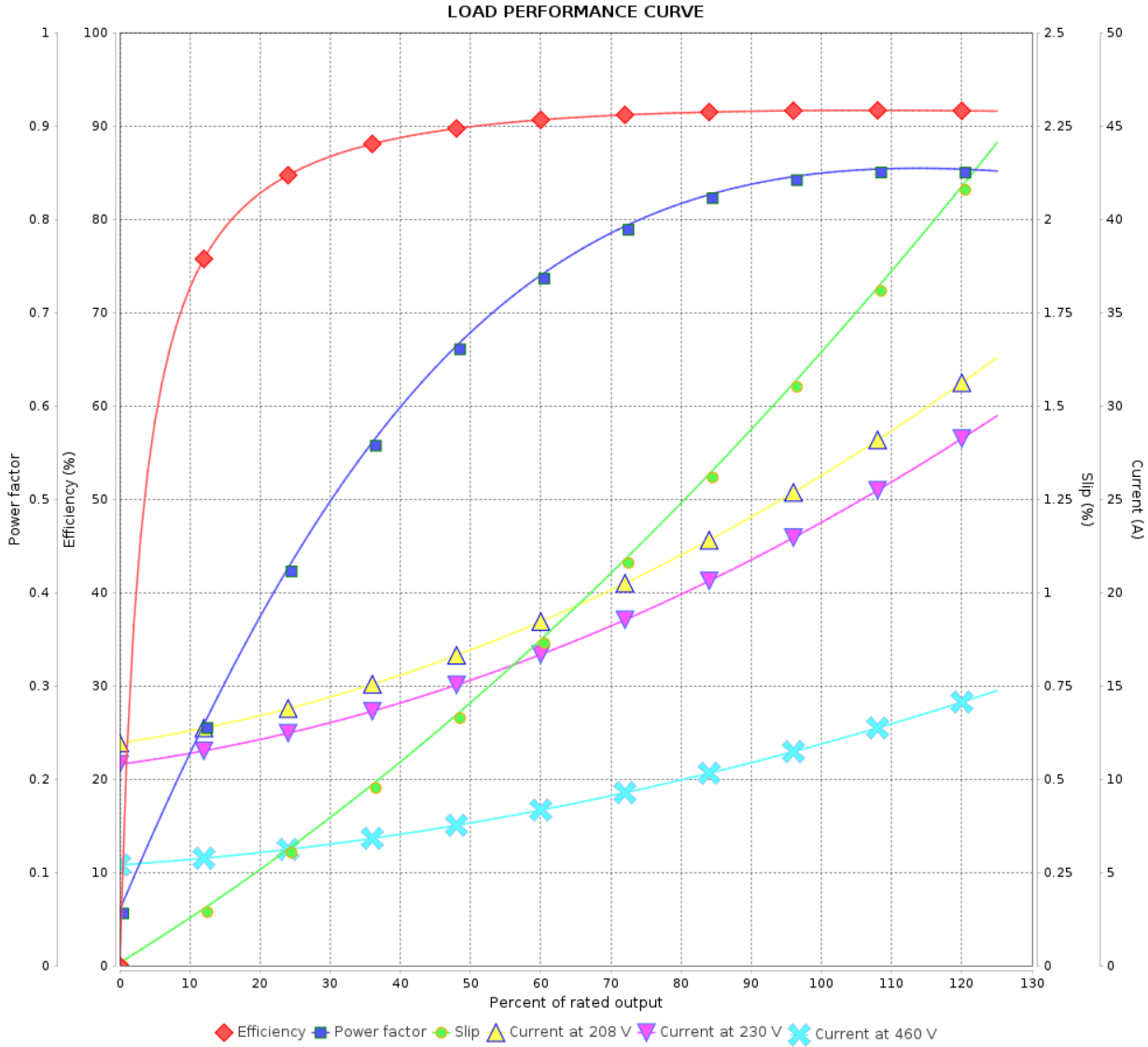
Three Phase Induction Motor - Squirrel Cage



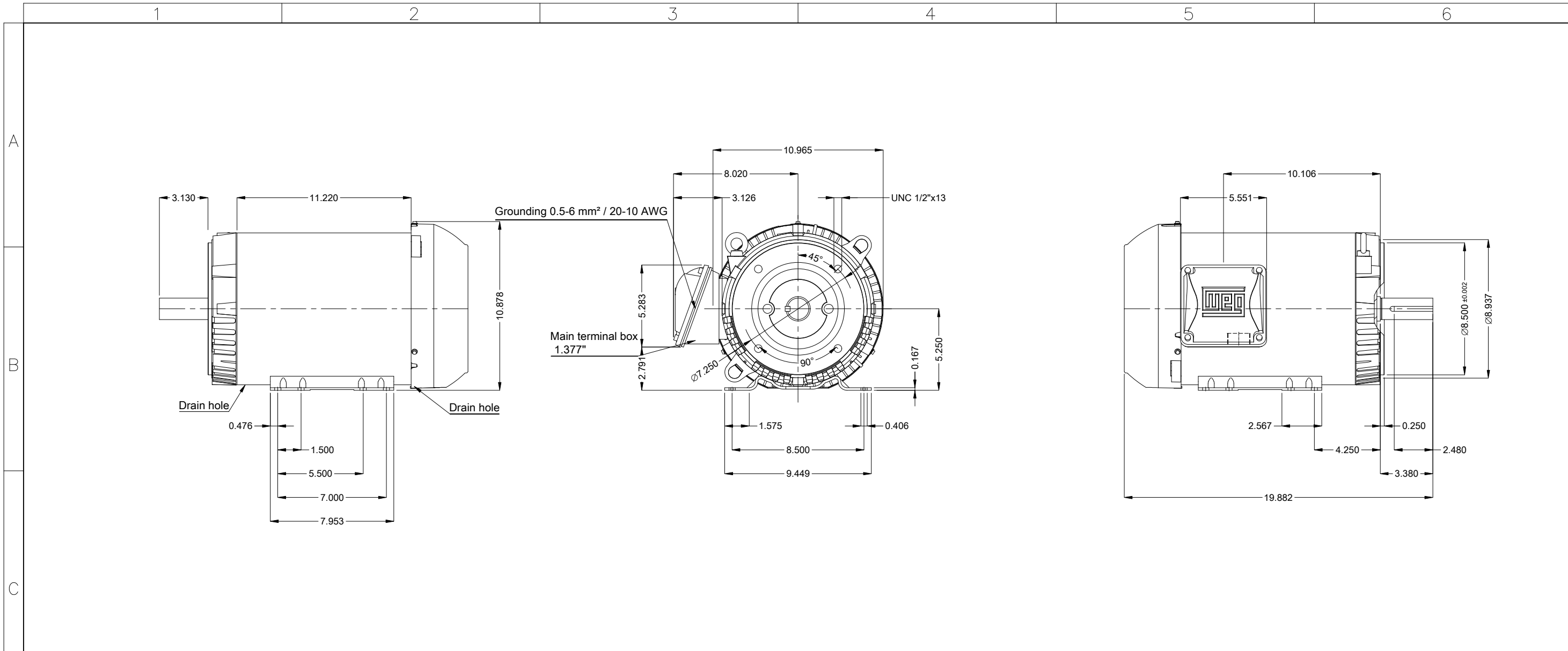
Customer :

Product line : Rolled Steel NEMA Premium
Efficiency Three-Phase

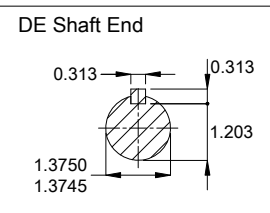
Product code : 12651247



Rev.	Changes Summary	Performed	Checked	Date
Performed by				Page 2 / 2
Checked by				
Date				
				Revision



Color Munsell N 1 matte black
 Painting plan 207N
 Mounting MARKET F-1/B34R(D)
 Mounting B34D



10 HP 04 Poles 60 Hz										A
Scale 2 : 13										
					HYBRISUSER					00
ECM	LOC	SUMMARY OF MODIFICATIONS			EXECUTED	CHECKED	RELEASED	DATE	VER	
EXECUTED	HYBRISUSER	THREE PH. MOTOR ROLLED STEEL NEMA PREM. EFF.								
CHECKED		FRAME 213/5TC IP55 TEFC								
RELEASED										
REL. DATE										
					PREVIEW		WDD 00		SHEET 1 / 1	

Dimensions in inches

A3